

IMPROVEMENTS IN THE FIELD OF DEVICE INTEGRATION INTO AUTOMATION SYSTEMS WITH EMBEDDED WEB INTERFACES

¹Anton Scheibelmasser, ²Jürgen Menhart

¹*Department of Automation Technology, CAMPUS 02, Körblergasse 126, 8021 Graz, Austria*

²*Test Bed Automation and Control Systems, AVL List GmbH, Hans List Platz 1, 8020 Graz, Austria*

Bernd Eichberger

Department of Electronics, Technical University Graz, Inffeldgasse 12, 8010 Graz, Austria

Keywords: Measurement device, automation system, device integration, embedded web interface, automotive test bed.

Abstract: Web-Technologies which came up in many fields of automation seem to be a solution which improves device integration in many ways. On the one hand the used Ethernet improves the installation techniques with reliable and approved network cables and routing devices. On the other hand the used internet protocols provide several services for the application software development. With the introduction of those services, the local controller of the measurement devices has to execute complex communication protocols in addition to the device specific tasks. This fact has serious influences on the measurement device instrumentation and the execution of the device firmware. Concerning new developments and compatible adaptations of existing instruments several ways for the integration of web technologies are available. The following article is intended to explain the architectural aspects of device integrations using Industrial Ethernet by means of an embedded web server. As a practical example to this architecture, concepts and results of a new developed communication module called EWI (embedded web interface) are given to demonstrate the improvements in measurement device integration in the field of automotive test bed automation.

1 INTRODUCTION

Automation systems like test beds in the automotive industry are used for the development and the quality control of combustion engines. In order to evaluate the interesting quantities, a lot of measurement devices have to be controlled to acquire the data during a test run. From the automation system's point of view these measurement devices can be seen as automata incorporating a finite state machine. Integrating such devices in an automation system means to synchronise the states of the measurement device with the states of the automation system. As those devices are physically separated from the test bed, synchronisation has to be performed by means of communication lines. From this point of view device

integration can be split into software aspects like device driver development and hardware parts like network design and installation. Concerning the network aspect, web technologies have spread over in many fields of application. As the components have become cheap and reliable, the well defined Ethernet (Metcalf, Boggs, 1976) was introduced in the field of automation technology. Because of the standardized bus system, network cables and components like plugs, transceiver, switches, routers and gateways, Industrial Ethernet (Hirschmann, 2007) has established in several fields of automation technology. In many applications it was extended to real time derivatives (Powerlink, 2003) of this standard. Particular automation systems in the field of combustion engine development, called test beds, are a potential field for the use of Industrial Ethernet.

As the test bed automation system has to control a lot of measurement devices, there are high requirements concerning the communication. A central task of the system in this context is the synchronisation of the used measurement devices. Synchronisation is needed in order to drive the internal state machine of the devices in the desired state of the automation system (e.g. measurement). On a typical test bed the measurement devices are separated from the automation system. Therefore synchronisation is only feasible by means of communication lines. So measurement device integration into automation systems can be split up into two parts.

The first one is the network part. A lot of measurement devices have to be connected to the test bed by means of communication lines. Typically existing test bed measurement devices are connected by means of peer to peer connections (e.g. RS232). This causes problems concerning the available connectors at the automation system and problems related to the available data acquisition rate. Based on traditional master/slave communication protocols and low data rate connections (e.g. 9600 Baud), timing requirements for high dynamic combustion engine tests are not met. So improvements in these directions are required.

The second part of device integration is the software part. Based on generic device drivers (Scheibelmasser, Traussnigg, Schindin, Derado, 2004) the protocol layer integration can be managed generically. Based on a Measurement Device Description (MDD) a flexible and efficient way for the device driver development is applicable. Concerning the appropriate graphical user interface (GUI) a similar method is not available. Typically, a lot of software components have to be developed for different platforms to provide the user with the appropriate visualisation for every measurement device. This implies high efforts and an economical disadvantage. Therefore new concepts in terms of device visualisation are needed. In both parts of measurement device integration Industrial Ethernet promises an improvement. In case of network problems, Industrial Ethernet provides the user with a high speed bus system. This avoids the connector problems and the data rate restrictions. Concerning the software part, the available Ethernet protocols enables a lot of services (e.g. http, ftp) which are available for implementing economical and high quality user interfaces and additional improvements in the field of service and maintenance.

2 INDUSTRIAL ETHERNET

If we introduce the Ethernet in an automation system, we provide the user with a lot of new capabilities. This chapter is intended to summarize the characteristics of such communication lines.

2.1 Bus Features

In contrast to the traditional peer to peer connections between the automation system and the measurement device, a bus system like Ethernet provides the capability to connect several devices to one line (network). Additionally, Ethernet increases the useable bandwidth in high ranges (e.g. GHz). Therefore existing restrictions concerning the connectors on the host system or the data rate acquisition problems could be easily solved. A possible disadvantage of this solution lies in the fact that the bus feature implies the need of a bus arbitration which is responsible for loosing a deterministic bus response time. Therefore an extension of the classical standard is necessary if hard real-time is required. In most cases the user interfaces require only soft real-time. So the standard Ethernet protocol is sufficient to support these applications.

2.2 Network Capability

Based on the standard and the defined network protocol stack, measurement devices which are connected to the Ethernet are able to communicate not only in the local network with the automation system but worldwide in the web. This feature enables on the one hand improvements in the area of remote control, remote maintenance and updating parameters or software in the field. On the other hand the security aspects will conquer against these features and lead to protected small subnets locally to the automation system. Depending on the required application the security aspect has to be taken into consideration and should be adjusted to the needed level.

2.3 Service Aspects

If we use the Ethernet with the standardized protocols (e.g. TCP/IP, UDP, HTTP) to connect the measurement devices, a lot of services are available to improve the human machine interface. Using these services, the challenges of the measurement device visualisation could be improved in many ways by means of embedded web-server.

Technologies like JAVA or .NET are available to program the appropriate user interface. The graphical user interface (GUI) of such a device is shown within a web-browser window independent from the computer platform. The respective program instructions (e.g. JAVA Applet) for the visualisation and control are stored in this scenario in the measurement device. In addition to this, user manuals, service instructions or electronic data sheets are available inside the device and accessible by means of Ethernet protocols (e.g. ftp). The challenge of implementing this method lies in the appropriate hardware and software design of measurement device.

3 SYSTEM ARCHITECTURE

In contrast to the traditional measurement device visualisation, the development of additional PC-Programs for control and visualisation could be avoided if we are using the Ethernet technology. As mentioned, the required human machine interface is implemented by means of applets which are stored in the respective device and are executed within a web browser. The details of the applets and the methods used for the implementation should not be part of this work. The main focus of this paper concerns the communication aspects of an embedded web server solution. Using the Ethernet protocols for the measurement device communication increases the efforts for the communication task in the device. This fact has two consequences. Existing devices are not able to carry out this additional task because of their limited resources. New device developments have to introduce additional hardware which is capable to execute not only the application program but an operating system with the Ethernet protocol stack. In addition to the protocol stack, a files system and a multitasking support are necessary to support the desired web-services. Concerning the control aspects of the measurement device, we have to take care not to lose the real time aspects. From the economical point of view we have to consider the side effects of introducing an operation system (e.g. licences) and the consequences in terms of additional hardware (e.g. memory). Never the less a compatible solution for existing measurement devices is required additionally. A further aspect lies in the fact that the introduction of a fast bus connection will not automatically yield to a higher data acquisition rate. Typically, existing firmware and protocols limit the performance of the system. So a appropriate

hardware architecture is necessary to support the demanded improvements.

Based on a principle which was already implemented in a density meter (Röhrer, 1991) there exists a trade off concerning the improvement of the device communication. If we separate the non real-time tasks like human machine interface from the real-time control tasks of a system with the introduction of two independent execution units (e.g. computers), we can achieve a solution which provides a lot of advantages. Using this concept, we can use even existing small and economical controller solutions without any modifications to carry out the real time control task. In contrast to this, improved communication or human machine interaction is done by an additional device computer which communicates with the real time controller on a proprietary and efficient protocol (e.g. SPI). This architecture provides the system not only with real time advantages but also with economical benefits.

4 TEST BED INTEGRATION

Based on the above mentioned considerations the device integration of measurement devices in an automotive test-bed automation system should be shown. An additional computer called EWI is introduced which works as a gateway between the traditional RS232 lines of the measurement device and the Ethernet. Based on this component, a new integration concept was developed.

4.1 EWI Definition

The main part of the integration concept is a standalone working EWI (embedded web interface). According to the different aspects of the measurement devices (e.g. version, protocol, hardware, technology), this system offers an overall and compact solution for a new and standardized integration concept for measurement devices in automotive automation systems. The EWI was development on the basis of a few important concepts:

- An increase of the data communication rate
- A multi user access from the client systems
- Introduction of a new visualisation concept

The EWI offers different solutions for data communication and exchange and is implemented as an additional hardware component. Therefore it is even applicable for existing devices. The highest priority is set on the communication between the different users. As shown in Figure 1, it takes care of

the direct communication between the measurement devices (MDS) and different client systems (e.g. test bed system, personal computer, handheld system). The web interface provides the user on the one hand with a gateway function (Ethernet to RS232), on the other hand it offers a data storage for a device specific user interface (GUI), directly stored in an extended memory.

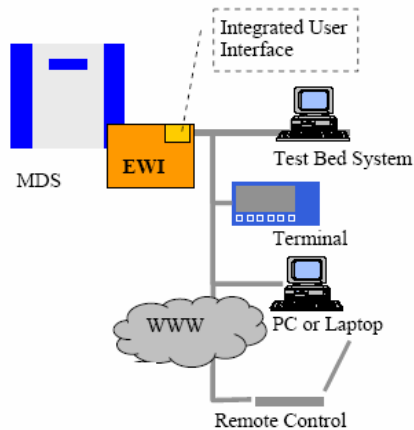


Figure 1: EWI integration concept (AVL, 2007).

Depending on the hardware version of the measurement device, the EWI hardware supports two integration concepts. The first scenario supports existing devices and provides the user with an external component, equipped with a serial connection to the device and a power supply. In contrast to this, the EWI-integration in current measurement devices is done in the system. In this case the communication will be done directly between the microcontroller and the EWI using a high speed serial connection (e.g. SPI). So there is no need for an additional power-supply.

4.2 Economical Aspects

One of the first steps in the EWI-development was the consideration of economical aspects. In order to make a decision, available technologies on the market were checked against aspects like initial costs, time to market or training efforts for the development team. To reach a high reuse of the module, the EWI should be customized by means of text-based configuration files. The following characteristics are configurable:

- Communication protocol definition/settings
- Multi-user access handling
- Automatic device detection
- Boost data handling

Based on this text file and the generic structure the EWI firmware allows the use of the system even with different kinds of ASCII based protocols on the RS232-line. A further economical aspect of the EWI development was the intention to improve the device user interface including the visualization. Currently a lot of different device user interfaces have to be offered to the customer. Depending on the supplier of the test bed system, the operating system on the client, software versions or languages appropriate software have to be provided. Every component of such an interface has to be maintained, bug fixed and released separately. The user has to be trained on each of the user interfaces because the integration into the customer's test bed has to be done always in a different way. So a main goal was to implement the user device interface as a web-page inside the EWI and to use a standard web-browser instead of proprietary PC-programs.

4.3 EWI Hardware Platform

In consideration of the above mentioned aspects the OEM-module solution was chosen. The EWI hardware acts as a communication co-processor solution. It is implemented as an additional hardware component and could be used without any influence on existing controller solution. Therefore it is applicable even for existing devices in the field. Concerning initial- and development time and costs, easy integration of software modules, functionality, licenses and RTOS features the OEM-module was the best trade-off. So the EWI was build up on the IPC@CHIP SC13. The system is based on a 80186 single chip computer and offers a maximum flexibility and availability for individual applications. The module incorporates a real time operating system, RAM, FLASH-Disk, serial and Ethernet controller and a large number of I/Os. The EWI software and architecture was built up on the preinstalled real time operating system. By means of the generic application software it is now possible to integrate the EWI in the different measurement systems, to store and manage the device user interface and to communicate with the measurement devices via multiple access.

4.4 Performance Considerations

Members of the automotive industry and their customers use a common known communication protocol called AK-Protocol (Arbeitskreis, 1991). This protocol is based on ASCII and provides an easy way to communicate with the measurement

devices on the test bed. It has been used for a long time and is described in user manuals of test bed devices. The communication is typically done via a point to point serial line connection in a master/slave mode. As the test bed devices are typically equipped with two serial lines, a connection for a maximum of two users is feasible. The AK protocol offers the user several commands, to switch the device into another mode (set), to acquire data (acquire) or setup new parameters (store) on the system. The interpretation of the AK protocol for a customer is very complex and varies between several measurement devices. To present an easier control mechanism for the user, the supplier of such a measurement system includes device user interfaces on his test bed systems or PCs. These software components are in communication with the measurement devices and offer the user a simplified view of the system. The communication rate between the participants depends on the client system. It varies between 1 Hz up to 10 Hz on current systems in the field. The communication rate, the operating systems and the software platforms are totally different. According to these differences, the standardized EWI integration concept has to consider the different communication rates in order to offer an overall solution in terms of test bed integration. A closer look to the protocol timing shows that the bottleneck of the communication can be found in the measurement devices itself. In current measurement devices the processing time takes about 100 ms. Due to the used hardware this time is necessary to receive the serial line string of the ASCII protocol, to interpret the frame, to calculate the data and to send it back to the client on the serial line. In comparison to this time, the communication of a command on the serial line between the client and the measurement device takes about 25 ms. It must be considered that the EWI is now a third partner in the communication line between the host and the client, and should not decrease the data rate between these communication partners. To improve the communication between the client and the host system, the EWI concept is split up into two parts.

The first part is the increase of the communication data rate between the client and host system by means of changing the physical layer and the protocol to Ethernet and TCP/IP.

The second part of the concept increases the communication data rate between the EWI module and the measurement device system. Instead of 9600 Baud the communication was increased to a data rate up to 115.2 kBaud. In this case the elapsed time can be decreased to 5.5 ms instead of 25 ms (Figure 2). The new communication schema offers now an

overall communication time of about 105.5ms between the client and the host system.

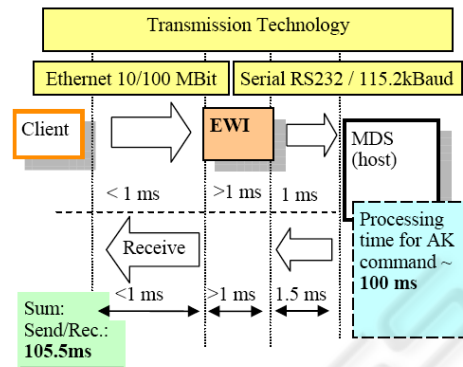


Figure 2: Transmission rates (Menhart, 2007).

Without changing the existing controller hardware in the measurement device, no further improvement of the transmission time is possible. Due to this fact the data rate for existing devices is limited up to 10Hz. But a main demand of the integration concept was the ability to process incoming data from the measurement device with a data rate of 50 Hz. In order to achieve this, the communication schema was extended with a so called Boost mode which was implemented in parallel to the ASCII based communication between the host and the client.

4.5 Data Acquisition/Boost Mode

As mentioned, it will be hardly possible to reach a data rate up to 50 Hz based on an ASCII based AK protocol without a change directly in the measurement device. The bottleneck between the communication structure – client, EWI, host - is the processing and interpretation time of the AK strings in the measurement devices itself.

The solution for this problem is a concept based on a mixed mode of communication. A transparent standardized ASCII mode and a fast binary data mode called “boost mode”. To achieve the requirement of a measurement data rate up to 50 Hz the communication will be done via this boost data mode in form of binary data sent from the measurement devices to the EWI. The data communication will be started and controlled from the measurement device, independent which client is in communication. The goal of the solution is to relieve the device from processing ASCII based AK data acquisition frames. Therefore the most important data of the measurement devices – the measurement data – will be sent to the EWI via binary data. In case of a client data acquisition the

data are taken from the EWI and no AK frame to the device is invoked.

In parallel the standard communication like parameter settings or service/maintenance commands will be done via the standard AK protocol. By means of this concept a dual communication is established. The processing time of the measurement device is not influenced and the client receives the AK data with a transmission rate up to 50 Hz. Due to the fact that the communication between the clients and EWI is now done via Ethernet, a multiple access from the clients to this boost data and the standard AK commands is possible. (Figure 3).

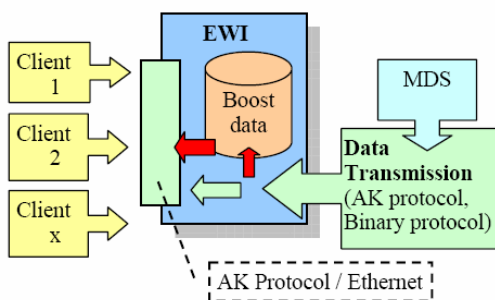


Figure 3: Multiple client access via EWI (Menhart, 2007).

5 CONCLUSIONS

In general the embedded web interface (EWI) represents a uniform and excellent solution for the integration of measurement devices into automotive test bed systems. It offers a complete support of the Ethernet technology as well as a standardized solution to overcome the problems of existing data transmission and communication modes. Providing the user with an Ethernet connection on the measurement device solves a lot of problems. As the peer to peer connections of RS232 lines are replaced with high speed, low cost and high reliable bus connections, the network problems are sufficiently solved. The used TCP/IP protocol offers the application software a lot of services. These services are able to improve not only the communication rate but even the user interface by means of embedded web-server technologies. Implementing such server in a measurement device enables the devices to provide their data not in traditional protocol frames but as web-service on a graphical web-page accessible with a standard web-browser.

The EWI concept, implemented as a communication co-processor has shown excellent

results in the field tests. The used EWI principles and methods are able to establish a standardized way of measurement device integration into test bed automation systems.

REFERENCES

- AVL List GmbH, 2007, *Embedded Web Interface*, Test Bed Instrumentation Systems, www.avl.com
- Röhler, R., 1991. *Intelligente Instrumentierung von Messgeräten*, Berichte der Informationstagung ME91, pp.46-50, Fric-Verlag
- Scheiblmasser A., Traussnigg U., Schindin G., Derado I., 2004, *Device Integration into automation systems with Configurable Device Handler*, ICINCO 04 Conference, Setubal
- Metcalfe R., Boggs R., 1976, *Ethernet: Distributed Packet, Switching for Local Computer Networks*, Association for Computing Machinery, Vol19/No5
- Hirschmann, 2007, *Industrial Ethernet*, <http://www.hirschmann-ac.de/Deutsch/industrial-ethernet/index.phhtmlwww.hirschmann.com>
- Menhart J., 2007, *Measurement device integration via Embedded Web Interface*, Diploma Thesis CAMPUS02 University of Applied Sciences, Graz
- Arbeitskreis der deutschen Automobilindustrie, 1991, *V24/RS232 Schnittstelle – Grundsätzliches*, UA Schnittstelle und Leitrechner
- Powerlink, 2003, *Ethernet Powerlink Standardisation Group*, www.ethernet-powerlink.org/