

Multicasting Characteristics of All-optical Triode based on Negative Feedback Semiconductor Optical Amplifiers

S. Aisyah Azizan, M. Syafiq Azmi and Yoshinobu Maeda

Graduate School of Science and Engineering, Kinki University, 3-4-1 Kowakae, Higashi Osaka, 577-8502, Japan

Keywords: Semiconductor Optical Amplifier, Multicasting, Wavelength Conversion, Optical Triode, Negative Feedback Optical Amplifier, Cross Gain Modulation.

Abstract: We introduce an all-optical multicasting characteristics with wavelength conversion based on all-optical triode using two negative feedback semiconductor optical amplifiers at a transfer speed of 10 Gbps to a non return zero $2^{31}-1$ pseudorandom bit sequence system. This multi-wavelength converter device can simultaneously provide two channels of output signal with the support of non-inverted and inverted conversion. We reported an all-optical multicasting and wavelength conversion accomplishing cross gain modulation is effective in a semiconductor optical amplifier in order to provide an inverted conversion thus negative feedback. The relationship of received power of back to back signal and output signals with wavelength 1530 nm, 1540 nm, 1545 nm, 1555 nm, and 1560 nm with bit error rate was investigated. It was found that the output signal wavelengths were successfully converted and modulated with a power penalty of less than 5 dB which the highest is 4.7 dB while the lowest is 2.2 dB. It was realized that all-optical multicasting and wavelength conversion using an optical triode with a negative feedback by two channels at the same time at a speed of 10 Gbps is possible.

1 INTRODUCTION

Demand for the wavelength division multiplexing (WDM) in wider band has progressed especially in the future technology of photonic networks. As the cost and power consumption of WDM network nodes are in a large amount, it is essential to discard the conventional optical/electrical/optical (O/E/O) to optical/optical (O/O) by using all-optical wavelength converter device. Optical wavelength conversion is anticipated to be an essential function for the emerging bandwidth-intensive applications (video conferencing, video-on-demand services etc.) of high speed WDM optical networks by enabling rapid resolution of output-port contention and wavelength reuse (Y. Yuang et al., 2000).

In addition, all-optical wavelength converter becomes a key functional element in WDM optical network due to its capabilities of transparent interoperability, contention resolution, wavelength routing and, in general, better utilization of the fixed set of wavelengths (J. M. H. Elmighani and H. T. Mouftah, March 2000).

Nowadays, multicasting is a potentially useful networking function that involves the same data

stream from a single node to several destinations nodes. This network is also called as photonic network. Photonic network is commonly enforced via IP digital routers in electrical domain. Photonic network effectiveness will be encouraged when the multicasting can be performed all-optically. The optical routers will be able to multicast an input signal to different wavelengths.

There is bulk of wavelength conversion and multicasting techniques that have been proposed so far. The techniques include a nonlinear semiconductor optical amplifier (SOA) based interferometer, an injection locking of a Fabry-Perot laser (C. W. Chow et al., 2003), and SOA with cross gain modulation (XGM) or SOA with cross phase modulation (XPM) (M. Matsuura, N. Kishi, and T. Miki, 2006). In this paper, we investigated the new wavelength converter technology technique based on the negative feedback optical amplification effect. This will result an output signal whose gain, waveform, and, baseline which stabilized automatically. Wavelength conversion and switching characteristics was investigated by introducing a control light together with input signal light (Y. Maeda and L. Occhi, 2003).

The optical amplifier consists of an InGaAsP/InP SOA and an optical add/drop filter. It is equipped with a negative feedback function. In the negative feedback SOA, the output modulation degree will be substantially higher and the distortion of the waveform was extremely small in wide input signal (Y. Maeda, 2011). We demonstrated the conversion wavelength by using two SOAs based on optical triode, and measured the bit error rate (BER) characteristics for each wavelength. As a result, this device has been realized that all-optical multicasting and wavelength conversion by using two channels at the speed of 10 Gbps at the same time is possible.

1.1 Negative Feedback Optical Amplification

As mentioned above, negative feedback optical amplifier consists of a SOA and an optical add/drop filter. The basic theory of negative feedback is explained below.

SOA is structured based on the ridge waveguide of InGaAsP/InP material. The composition of the InGaAsP active layer is chosen to have gain peak wavelength around 1550 nm. The maximum small signal fiber to fiber gain is around 15 dB and the output saturation power is approximately 2 mW measured at 1550 nm with a bias current of 250 mA (Y. Maeda, 2011). Figure 1 shows the diagram of a negative feedback SOA circuit.

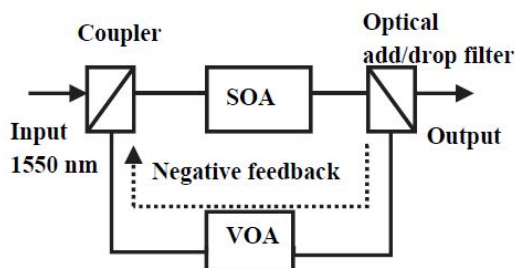


Figure 1: Block diagram of a negative feedback SOA. VOA: Variable optical attenuator.

As shown in Figure 1, a wavelength of 1550 nm is set as an input signal by a tunable laser then is modulated by the mean of electro-optic modulator. The modulated input signal is fed into the SOA by using a coupler. An optical add/drop filter is located in order to extract an output signal light of the wavelength 1550 nm. The XGM mechanism in SOA will provide the spontaneous emission contain an inverted replica of the information carried by input signal. The inverted replica information is fed back and injected together with the input signal back into

the SOA by using a coupler. The output average power was around 6.4 mW, which the SOA was without negative feedback while in the SOA with negative feedback, the output average power was approximately 1.9 mW. These were experimented when the negative feedback average power was 0.12 mW (Y. Maeda, 2011).

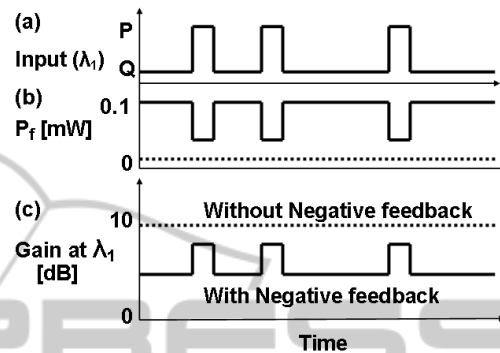


Figure 2: Concept diagram of negative feedback optical amplification effect.

Figure 2 shows the concept diagram of a negative feedback optical amplification effect. The straight-line represents the case where the SOA was used with negative feedback while the dotted line represents the case of the SOA without negative feedback.

Figure 2(a), (b), and (c) show the waveforms of the input signal, the negative feedback, and the gain in SOA respectively. In the SOA that has a XGM mechanism, spontaneous emission lights, which have wavelengths near a wavelength λ_1 , the input signal have an intensity varying in response to a variation in the intensity of that input signal. Characteristically, the intensity variation of the spontaneous emission lights are inverted with respect to the variation in the input signal then the spontaneous emission lights are outputted from the SOA as reported in Figure 2(b).

In the past, it is common that the spontaneous emission lights as well as the surrounding light that have wavelengths other than the wavelength λ_1 are removed by a band pass filter, since it becomes a factor of noise generation (Y. Maeda, 2011). In this situation, a negative feedback optical signal amplification phenomenon in which characteristics of the gain of the SOA is drastically changed by feeding back the separated surrounding light to the SOA so that the gain is modulated as shown in Figure 2(c). Therefore, noise reduction is realized all-optically with a negative feedback SOA. It can be concluded that the output signal waveform is

exceptionally improved over that without negative feedback. In addition, the baseline of the output signal waveform is suppressed because the gain in the SOA is low when the power of input signal is at the low logical level, whereas the output signal is stressed because of the high SOA gain when the input signal power is high as shown in Figure 2 (Y. Maeda, 2011). In this paper, we created an all-optical triode based on the negative feedback SOA theory.

2 OPERATION PRINCIPLE

The experimental setup is reported in Figure 3. The operating circuit of negative feedback optical amplification by using optical triode is explained as follows.

In this experiment, we used full band thermally tunable distributed-feedback (DFB) laser diode module. The isolator from the device has been taken out in purpose to allow any reflection of the signal light from the SOA. This device is used as the SOA and laser diode (LD) as shown in Figure 3. We created an optical triode by using two SOAs forming two stages of SOAs, SOA-1 for the first stage and SOA-2 for the second stage of the circuit with two optical add/drop filters (1550 nm \pm 6.5 nm).

An optical signal that has been modulated by the external optical modulator (O.M) enters the SOA-1 via an optical add/drop filter (1550 nm \pm 6.5 nm). Due to the XGM mechanism in SOA-1, the probe light, which is set in the SOA-1, is modulated into a signal then provide the spontaneous emission contain an inverted intensity to the optical signal which fed in SOA-1. This inverted optical signal then passes through an optical add/drop filter (1550 nm \pm 6.5 nm) thenceforth it flew into the SOA-2 based on the negative feedback theory. The input signal is amplified with gain modulation by inverted optical signal in the SOA-2.

In this research, an optical signal with wavelength 1552 nm is set by a laser source as the input signal. This optical signal is modulated to a non return zero (NRZ) $2^{31}-1$ pseudorandom bit sequence (PRBS) with a transfer speed of 10 Gbps by the O.M then is amplified by the Erbium doped fibre amplifier (EDFA) before fed into the optical triode. Additionally, probe light with wavelength of 1551 nm is set in SOA-1.

In order to perform multicasting in wavelength conversion through this experiment, two different wavelengths are set as the control signal in SOA-2. Five different wavelengths are chosen as the control

signal to be used in this research. They are 1530 nm, 1540 nm, 1545 nm, 1555 nm, and 1560 nm. These control signals (two wavelengths at a time) will be fed into the SOA-2, which have undergone XGM and wavelength conversion is occurred. Consequently, the two different optical signals will be amplified by the SOA-2 thus pass through an optical add/drop filter. After that the optical signals passed a VOA and a band pass filter (BPF).

As the two control signals are in different wavelengths, a BPF is needed for wavelength separation to recognize the output signals. Thenceforth, the optical signals are inserted into the bit error rate tester (BERT) hence the relationship of received power of back to back signal (B to B signal/BER of input signal) and output signals which is controlled by the VOA, with BER is measured.

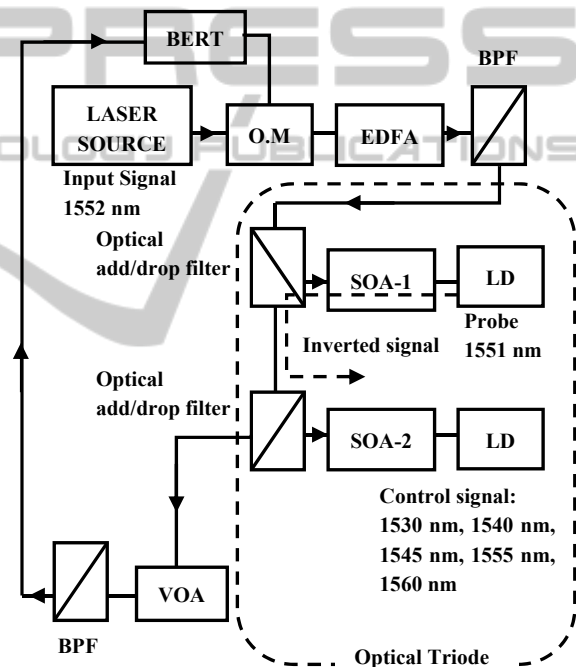


Figure 3: Experimental setup.

3 RESULTS AND DISCUSSION

Figure 4 shows the eye diagrams obtained in this experiment. Figure 4(a) shows the input signal eye diagram whereas (b), (c), (d), (e), and (f) show the eye diagram for output signals of 1530 nm, 1540 nm, 1545 nm, 1555 nm, and 1560 nm respectively. The eye diagram of input and output signals are recorded when their average power is 150 μ W. Zero level from baseline (from ground) of input signal is

27 μ W. Eye aperture, extinction ratio and zero level from the baseline of each output signal eye diagram are measured and are summarized in Table 1.

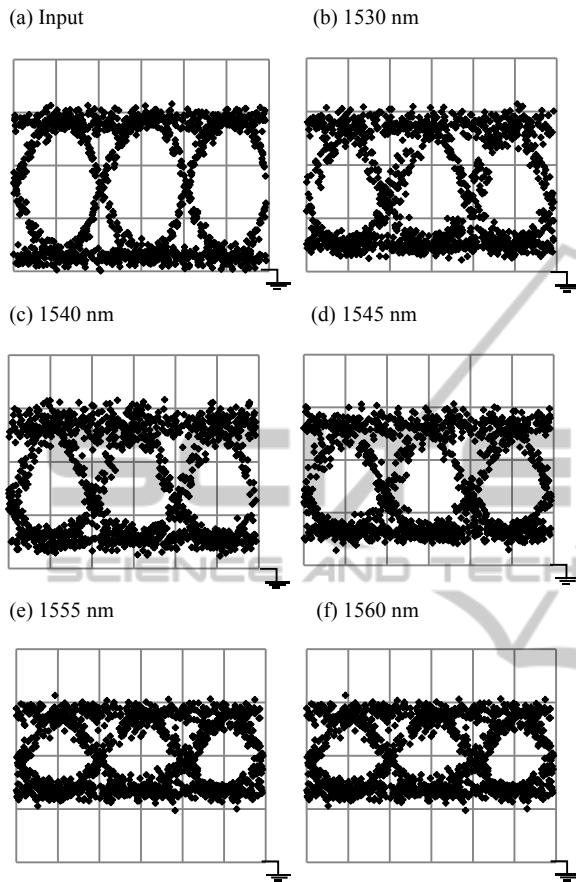


Figure 4: Eye diagrams of input and output signals (50 μ W/div, 50ps/div).

Table 1: Summarization of measurement result.

Wavelength [nm]	Eye aperture [dB]	Extinction ratio [dB]	Zero level [μ W]
1530	4.35	7.39	49
1540	3.90	6.97	54
1545	3.45	6.19	63
1555	2.22	4.40	83
1560	2.12	4.28	84

As reported in Figure 4, the baseline of output signal eye diagrams arose gradually compared to the input signal eye diagram. Based on Table 1, the zero level from baseline of output signals increase when the wavelength becomes longer, from 1530 nm to 1560 nm. In addition, the degradation in eye aperture of output signals is clearly reported in Figure 4 and Table 1. The obtained results show that,

the highest extinction ratio is 7.39 dB when the output signal wavelength is 1530 nm.

Based on the reported results, it proved that during the conversion of wavelength conducted in the SOAs consumed large amount of power and noise has been found due to the distortion of the eye diagrams as clearly shown in Figure 4 especially in Figure 4(e) and (f). We understood that a conventional optical amplifier merely has a simple amplification function that is almost constant gain. The amplifier disadvantageously amplifies not only the signal but also the noise. Therefore, the eye diagram and baseline of the output signal cannot be improved basically in relation with the noise, thereby making difficult to achieve an advanced signal processing. In spite of all, it is understood that the eye aperture of optical signals declines as the wavelength increases. In Figure 4, we conclude that 1530 nm has the highest eye aperture compared to the other output signals.

In order to assess multicasting characteristics, we measured the relationship between received power and BER and reported in Figure 5. We have measured the BER for B to B signal (also called back to back signal), output signals 1530 nm, 1540 nm, 1545 nm, 1555 nm, and 1560 nm.

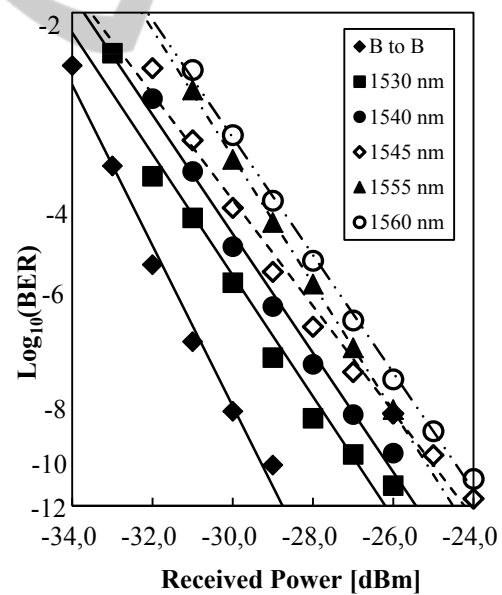


Figure 5: Result of bit error rate test.

It was found that the smaller the received power of the signals, the bigger the BER will be. We studied that it may be an effect of the dependence of the speed propagation light through the medium during the conversion of wavelengths that produce errors. From the result of BER test, relationship of

power penalty with respect to B to B and control signals when the BER is 10^{-9} is summarized. The summarization result is shown in Figure 6.

It is understood that the BER and power penalty with respect to B to B signal become worse as the control signal wavelengths increase. Figure 6 reported that we obtained power penalty that less than 5 dB. The highest power penalty is 4.7 dB when the control signal is 1560 nm while the lowest is 2.2 dB when the control signal is 1530 nm. Therefore, we found that BER for output wavelength of 1530 nm is the nearest to the B to B signal than output wavelengths of 1540 nm, 1545 nm, 1555 nm, and 1560 nm.

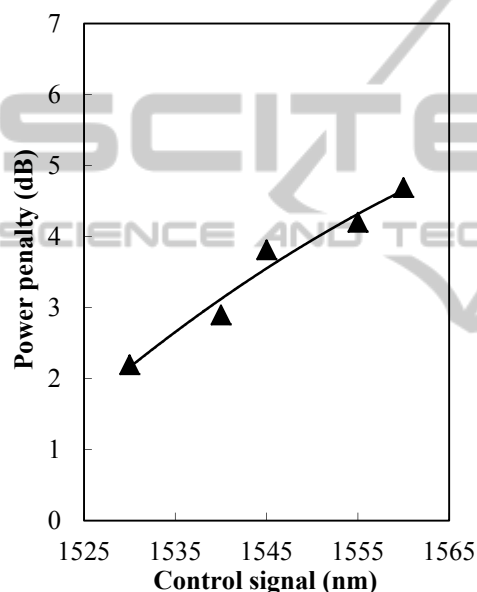


Figure 6: Relationship of power penalty with respect to B to B and control signal.

4 CONCLUSIONS

We investigated multicasting characteristics by using an optical triode, which has been set up with two stages of SOAs that constitute a negative feedback optical amplifier with two optical add/drop filters. Based on the BER measurement result, output signal of 1530 nm produced the least error compared to the other output signals after undergone wavelength conversion. Thereby, we concluded that 1530 nm has the smallest power penalty than the other output signals when the BER is 10^{-9} . Therefore, we understood that when the wavelength becomes longer, the BER becomes worse. Hence, this device also proved that all-optical multicasting

and wavelength conversion with two channels at a time with a transfer speed of 10 Gbps is possible.

Furthermore, we found out that, by this experiment, it is possible to achieve negative feedback optical amplification by SOA with the insertion of input and control signal into the SOA. It also proved that the conversion of wavelength (O/E/O) through electronic circuit can be innovated to all-optical signals (O/O) and are applicable in our optical triode.

Multicasting characteristics are recognized and the conversion of one wavelength to another different wavelength by injecting input and control signal with a speed of 10 Gbps at the same time in this device has been proved.

ACKNOWLEDGEMENTS

This work was supported in part by the Ministry of Education, Culture, Science and Technology of Japan, a Grant-in-Aid (21560048) for scientific research ©.

REFERENCES

- Y. Yuang et al., 2000. *Nonblocking WDM multicast switching networks*, IEEE Trans On Parallel and Distrib. Sys., pp. 1274-1287.
- J. M. H. Elmighani and H. T. Mouftah, March 2000. *All-optical wavelength conversion: Technologies and applications in DWDM networks*, IEEE Commun. Mag., vol. 38, pp. 86-92.
- C. W. Chow et al., 2003. *8×10 Gb/s multiwavelength injection locking of a FP laser diode for WDM multicast*, Proc. Of IEEE LEOS, pp. 682-683.
- M. Matsuura, N. Kishi, and T. Miki, 2006. *Broadband regenerative wavelength conversion and multicasting using triple-stage semiconductor-based wavelength converters*, IEEE Photon. Technol. Lett., pp. 2659.
- Y. Maeda and L. Occhi, 2003. *All-optical triode based on a tandem wavelength converter using reflective semiconductor optical amplifiers*, IEEE Photonics Technol. Lett., pp. 257.
- Y. Maeda, 2011. *Advances in Optical Amplifiers*, Paul Urquhart ed. INTECH Open Access, pp. 231-252.