

Analytical Modeling for Performance Evaluation of ASE Noise-impaired Direct-detection Single-sideband Multi-band Optical OFDM Systems

Pedro Cruz, Tiago Alves and Adolfo Cartaxo

Optical Communications and Photonics Group, Instituto de Telecomunicações, Instituto Superior Técnico, Universidade de Lisboa, 1049-001 Lisboa, Portugal

Keywords: Orthogonal Frequency Division Multiplexing (OFDM), Direct-Detection, Multi-band, Single-Sideband, Amplified Spontaneous Emission (ASE) Noise, Optical Signal-to-Noise Ratio, Bit Error Ratio.

Abstract: An analytical model for performance evaluation of amplified spontaneous emission noise-impaired direct-detection single-sideband multi-band (MB) optical orthogonal frequency division multiplexing (OFDM) systems is proposed. The bit error ratio (BER) is used as figure of merit for performance evaluation, and is obtained through an analytical relationship between the electrical signal-to-noise ratio (SNR) and the optical SNR. The effectiveness of the analytical model is verified through comparison of the BER estimates provided by the analytical model with the ones obtained using numerical simulation and the exhaustive Gaussian approach. Excellent agreement of the BER results is verified when distortion does not affect significantly the MB-OFDM signal performance.

1 INTRODUCTION

Orthogonal frequency division multiplexing (OFDM) has been widely appointed as a powerful solution to provide capacity granularity and switching capabilities in optical networks (Cvijetic, 2012; Blouza et al., 2011; Christodouloupoulos et al., 2011). Flexible bandwidth allocation was also identified as one of the main advantages of OFDM-based networks (Armstrong, 2009; Shieh, 2011). Optical communication systems have also exploited the advantages of high spectral efficiency and resilience to linear fiber effects that OFDM can offer (Armstrong, 2009; Lowery et al., 2006). Two different optical OFDM flavors have been considered in the literature: i) coherent-detection, where a local oscillator, hybrid couplers and several photodetectors are employed at the optical receiver, and ii) direct-detection, where only one photodetector is required at the receiver. For systems where cost is of primary concern, such as in metropolitan networks, OFDM systems employing direct-detection are preferred (Kim et al., 2012).

Although optical OFDM systems have been widely studied, the implementation of multi-band OFDM (MB-OFDM) using direct-detection is a relatively new concept (Peng et al., 2012; Li et al., 2013). A high-speed (> 100 Gb/s) MB-OFDM system using a direct-detection optical OFDM superchannel (sev-

eral OFDM bands) with dual carriers at both sides of the superchannel is proposed in (Peng et al., 2012) for long-haul networks. In that work, an analytical form to get the optimum carrier-to-signal power ratio is obtained in optical back-to-back, where only linear noise is considered. This kind of analytical formulation is of special interest as it allows obtaining a first estimate of system performance without requiring extensive numerical simulations to acquire the results. Although the system presented in (Peng et al., 2012) has high spectral efficiency, it is quite challenging to implement this MB-OFDM system in flexible metropolitan networks mainly due to huge requirements for the receiver front-end bandwidth. The optical OFDM superchannel proposed in (Li et al., 2013), which is a variant of the MB-OFDM direct-detection long-haul system of (Peng et al., 2012), proposes the use of multiple carriers along the superchannel. In (Li et al., 2013), a carrier supports a few OFDM bands, targeting ultra-high capacity with more relaxed receiver front-end bandwidth requirements, when comparing with the system of (Peng et al., 2012). These two MB-OFDM systems (Peng et al., 2012; Li et al., 2013) have proposed and demonstrated effective direct-detection solutions for long-haul networks. This paper considers a different MB-OFDM system, where one carrier supports one OFDM band. In this system, the pair OFDM band-

carrier is selected by optical filtering before direct detection, reducing the required bandwidth of the front-end receiver significantly, when comparing with the receiver bandwidth requirements of the systems presented in (Peng et al., 2012) and (Li et al., 2013). This MB-OFDM system presents some challenges that require investigation, such as the crosstalk originated by the finite selectivity of the optical filters or the effect of increasing the spectral efficiency by reducing the gap between the carrier and the OFDM band on the system performance.

In this work, the performance of an amplified spontaneous emission (ASE) noise-impaired direct-detection single-sideband (SSB) MB-OFDM system employing a virtual carrier per OFDM signal is analytically modeled, by using the bit error ratio (BER) as figure of merit. Operation in optical back-to-back is considered, as optical fiber impairments should not present remarkable influence on the performance of SSB systems.

2 SYSTEM DESCRIPTION

The model considered to describe the MB-OFDM system in optical back-to-back is presented in Fig. 1.

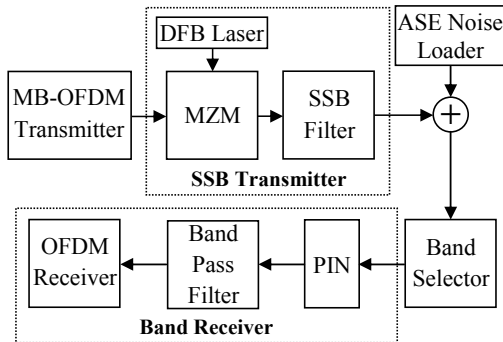


Figure 1: MB-OFDM system model in optical back-to-back. ASE - amplified spontaneous emission; DFB - distributed feedback; MZM - Mach-Zehnder modulator; PIN - positive-intrinsic-negative; SSB - single-sideband.

The radiofrequency (RF) MB-OFDM signal generated at the MB-OFDM transmitter is composed by N_B OFDM signals (or bands) and N_B RF carriers (or virtual carriers - VCs), as depicted in Fig. 2.

The MB-OFDM system considers one VC per OFDM band. Each pair band-VC does not interfere in frequency with the corresponding neighboring pairs. The virtual-carrier-to-band gap (VCBG) is selected in order to avoid the signal-signal beat interference (SSBI) originated by the photodetector square-law. A MB-OFDM system design with the VC at a higher

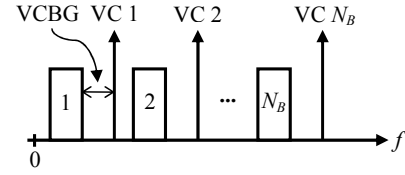


Figure 2: Simplified scheme of a MB-OFDM signal, with N_B bands and N_B VCs. VCBG - virtual-carrier-to-band gap.

frequency than the corresponding OFDM band is considered. At the SSB transmitter, the optical signal is generated by a distributed feedback (DFB) laser and the MB-OFDM signal modulates that optical signal using a chirpless Mach-Zehnder modulator (MZM), biased at quadrature point. The optical signal at the MZM output is then filtered by a SSB filter, creating a SSB signal. This allows overcoming the chromatic dispersion-induced power fading impairment caused by the square-law photodetection of a double-sided optical signal transmitted along a dispersive medium. After SSB filtering, an ASE noise loader adds optical noise to the MB-OFDM signal. After ASE noise addition, the band and VC to be dropped at the receiver are selected by the band selector (BS) optical filter. The band receiver is composed by a positive-intrinsic-negative (PIN) photodetector, a band pass filter (BPF) and an OFDM receiver. The PIN converts the optical signal to an electrical signal. The BPF removes the out-of-band noise and filters the received OFDM signal, and the OFDM receiver digitally-converts and demodulates the electrical signal.

3 ANALYTICAL MODELING

In this section, the analytical modeling of the signal and noise power along the MB-OFDM system is performed. The main objective is to obtain analytical expressions for the optical signal-to-noise ratio (OSNR) and the electrical signal-to-noise ratio (ESNR) at the BPF output. With these expressions, fast BER estimates can be obtained to provide insight on the performance of SSB MB-OFDM systems employing direct-detection.

The RF signal at the MZM input, $v_{RF}(t)$, can be written as:

$$v_{RF}(t) = \underbrace{[s_b(t) + A_v s_v(t)]}_{s_e(t)} \frac{V_{RMS,imp}}{V_{RMS,s_e(t)}}, \quad (1)$$

with

$$s_b(t) = \sum_{n=1}^{N_B} \frac{s_{b,n}(t)}{V_{RMS,s_{b,n}(t)}}, \quad (2)$$

and

$$s_v(t) = \sum_{n=1}^{N_B} \frac{s_{v,n}(t)}{V_{RMS,s_{v,n}(t)}}, \quad (3)$$

where $s_b(t)$ is the sum of all up-converted N_B OFDM band signals, A_v is the amplitude of each VC, $s_v(t)$ is the sum of all N_B VCs, $s_{b,n}(t)$ is the n -th OFDM band, $V_{RMS,s_{b,n}(t)}$ is the root-mean-square (RMS) voltage of $s_{b,n}(t)$, $s_{v,n}(t)$ is the n -th VC, $V_{RMS,s_{v,n}(t)}$ is the RMS voltage of $s_{v,n}(t)$, $s_e(t)$ is the MB-OFDM signal, $V_{RMS,s_e(t)}$ is the RMS voltage of $s_e(t)$, and $V_{RMS,imp}$ is the RMS voltage imposed to the MB-OFDM signal at the MZM input. As a note, $v_{RF}(t)$ can be written as:

$$v_{RF}(t) = s_{b,e}(t) + s_{v,e}(t), \quad (4)$$

with

$$\begin{cases} s_{b,e}(t) = \frac{V_{RMS,imp}}{V_{RMS,s_e(t)}} s_b(t), \\ s_{v,e}(t) = \frac{V_{RMS,imp} A_v}{V_{RMS,s_e(t)}} s_v(t), \end{cases} \quad (5)$$

and the mean power of $v_{RF}(t)$, p_{RF} , is given by:

$$p_{RF} = V_{RMS,imp}^2. \quad (6)$$

The output electrical field of a chirpless MZM, $e_{MZM}(t)$, can be expressed as:

$$e_{MZM}(t) = E_i \cos \left\{ \frac{\pi}{2V_\pi} [-V_b + v_{RF}(t)] \right\} \exp(j2\pi\nu_0 t), \quad (7)$$

where E_i is the optical field at the MZM input, V_b is the MZM bias voltage, V_π is the voltage required to switch between the maximum and the minimum of the MZM power transmission characteristic, and ν_0 is the optical frequency.

Considering a linearized MZM by applying the Taylor series first-order approximation around zero with respect to $v_{RF}(t)$, and that the MZM is biased at quadrature point ($V_b = V_\pi/2$), the linearized output field, $e_{MZM,l}(t)$, can be written as:

$$e_{MZM,l}(t) = E_i \left[\frac{\sqrt{2}}{2} + \frac{\sqrt{2}}{4} \frac{\pi}{V_\pi} v_{RF}(t) \right] \exp(j2\pi\nu_0 t). \quad (8)$$

Using Eqs. 4 and 5, and knowing that:

$$\begin{cases} \langle |s_b(t)|^2 \rangle = \langle |s_v(t)|^2 \rangle = N_B, \\ V_{RMS,s_e(t)}^2 = N_B(1 + A_v^2), \end{cases} \quad (9)$$

the mean power at the linearized MZM output,

$p_{MZM,l}$, can be expressed as:

$$p_{MZM,l} = \underbrace{\frac{E_i^2}{2}}_{p_o} + \underbrace{\frac{1}{8} \frac{\pi^2}{V_\pi^2} E_i^2 \frac{V_{RMS,imp}^2}{1 + A_v^2}}_{p_b} + \underbrace{\frac{1}{8} \frac{\pi^2}{V_\pi^2} E_i^2 \frac{V_{RMS,imp}^2}{1 + A_v^2} A_v^2}_{p_v}, \quad (10)$$

where p_o is the optical carrier mean power, p_v is the mean power of all the VCs, and p_b is the mean power of all the OFDM bands.

Two important power ratios can be determined from Eq. 10, which are the virtual-carrier-to-band power ratio (VBPR) and the optical-carrier-to-band power ratio (OBPR). These ratios are important because they have a significant impact on the performance of the MB-OFDM signal. The VBPR is given by:

$$VBPR = \frac{p_v}{p_b} = \frac{p_{v,n}}{p_{b,n}} = A_v^2, \quad (11)$$

and the OBPR can be written as:

$$OBPR = \frac{p_o}{p_b} = \frac{4V_\pi^2(1 + VBPR)}{\pi^2 V_{RMS,imp}^2}, \quad (12)$$

where $p_{v,n} = p_v/N_B$ and $p_{b,n} = p_b/N_B$ are the mean power of the VC n and the OFDM band n , respectively.

After electro-optical conversion, SSB filtering is performed and the lower sideband and lower VC are removed. After some calculations, the mean power at the SSB filter output, p_{SSB} , can be expressed as:

$$p_{SSB} = p_o + \frac{p_v}{2} + \frac{p_b}{2}. \quad (13)$$

Afterwards, an ASE noise loader is added to the signal at the SSB filter output. Hence, it is important to define the OSNR after noise loading (NL).

Considering that the ASE noise is zero-mean additive-white-Gaussian and is present in the parallel (\parallel) and perpendicular (\perp) polarization directions, and that the signal field at the SSB filter output is polarized in the parallel direction, the low pass equivalent (LPE) of the field after NL, $\mathbf{e}_{NL}(t)$, can be expressed as:

$$\begin{aligned} \mathbf{e}_{NL}(t) = & [e_{SSB,\parallel}(t) + n_{I,\parallel}(t) + jn_{Q,\parallel}(t)] \mathbf{u}_{\parallel} + \\ & + [n_{I,\perp}(t) + jn_{Q,\perp}(t)] \mathbf{u}_{\perp}, \end{aligned} \quad (14)$$

where $e_{SSB,\parallel}(t)$ is the OFDM signal field at the SSB filter output in the \parallel polarization defined by \mathbf{u}_{\parallel} , $n_{I,\parallel}(t)$ and $n_{Q,\parallel}(t)$ are the I and Q noise components in the \parallel polarization, respectively, and $n_{I,\perp}(t)$ and $n_{Q,\perp}(t)$ are

the I and Q noise components in the \perp polarization defined by \mathbf{u}_\perp , respectively.

Assuming that each one of the four noise components has a constant power spectral density (PSD) given by S_{ASE} , the optical noise mean power in a bandwidth B_N after NL, $p_{n,NL}$, can be expressed as:

$$p_{n,NL} = 4S_{ASE}B_N. \quad (15)$$

Usually, B_N corresponds to a reference bandwidth of 0.1 nm, which is approximately 12.5 GHz.

The OSNR is defined as the ratio between the signal power after NL, $p_{s,NL}$ (which is equal to the signal power at the SSB filter output, p_{SSB}), and the noise mean power, $p_{n,NL}$, in the reference bandwidth B_N , after NL. Considering Eqs. 13 and 15, the OSNR is then expressed as:

$$\text{OSNR} = \frac{p_{s,NL}}{p_{n,NL}} = \frac{p_{SSB}}{p_{n,NL}} = \frac{p_o + \frac{p_v}{2} + \frac{p_b}{2}}{4S_{ASE}B_N}. \quad (16)$$

After ASE noise loading, the BS is used to select the OFDM band and VC that will be photodetected (dropped). The BS is an ideal optical filter, with transfer function $H_{BS,n}(f)$ and impulse response $h_{BS,n}(t)$, that only selects the n -th OFDM signal and the n -th VC. The LPE of $H_{BS,n}(f)$ can be written as:

$$H_{BS,n}(f) = \text{rect}\left(\frac{f - f_x}{B_o}\right), \quad (17)$$

where B_o is the BS bandwidth and f_x is the center frequency of the BS given by:

$$f_x = \frac{f_{\max} + f_{\min}}{2} = \frac{f_{v,n} + \left(f_{RF,n} - \frac{B_E}{2}\right)}{2}, \quad (18)$$

where $f_{v,n}$ is the n -th VC frequency, $f_{RF,n}$ is the n -th band central frequency, f_{\max} and f_{\min} are the maximum and minimum frequencies of the passband of the BS, respectively, and B_E is the OFDM signal bandwidth.

The LPE of the signal at the BS output, $\mathbf{e}_{BS,n}(t)$, can be expressed as:

$$\begin{aligned} \mathbf{e}_{BS,n}(t) &= \mathbf{e}_{NL}(t) \otimes h_{BS,n}(t) = \\ &= \left[e_{BS,n,\parallel}(t) + n'_{I,\parallel}(t) + jn'_{Q,\parallel}(t) \right] \mathbf{u}_\parallel + \\ &+ \left[n'_{I,\perp}(t) + jn'_{Q,\perp}(t) \right] \mathbf{u}_\perp, \end{aligned} \quad (19)$$

where \otimes denotes the convolution operation, $e_{BS,n,\parallel}(t)$ is the field, at the BS output, of the n -th OFDM signal and n -th VC in the \parallel polarization, $n'_{I,\parallel}(t)$ and $n'_{Q,\parallel}(t)$ are the filtered I and Q noise components in the \parallel polarization, respectively, and $n'_{I,\perp}(t)$ and $n'_{Q,\perp}(t)$ are

the filtered I and Q noise components in the \perp polarization, respectively. The field $e_{BS,n,\parallel}(t)$ is given by:

$$\begin{aligned} e_{BS,n,\parallel}(t) &= \frac{\sqrt{2}}{4} \frac{\pi}{V_\pi} E_i \left[\frac{V_{RMS,imp}}{V_{RMS,s_e(t)} V_{RMS,s_{b,n}(t)}} s_{b,n}(t) + \right. \\ &\left. + \frac{V_{RMS,imp} A_v}{V_{RMS,s_e(t)} V_{RMS,s_{v,n}(t)}} s_{v,n}(t) \right] \exp(j2\pi\nu_0 t), \end{aligned} \quad (20)$$

with

$$\begin{aligned} s_{b,n}(t) &= s_{I,n}(t) \cos(2\pi f_{RF,n} t) - \\ &- s_{Q,n}(t) \sin(2\pi f_{RF,n} t), \end{aligned} \quad (21)$$

and

$$s_{v,n}(t) = \sqrt{2} \cos(2\pi f_{v,n} t + \phi_v), \quad (22)$$

where $s_{I,n}(t)$ is the low pass in-phase (I) component of the OFDM signal of band n , $s_{Q,n}(t)$ is the low pass quadrature (Q) component of the OFDM signal of band n , and ϕ_v is the VC initial phase.

The field $e_{BS,n,\parallel}(t)$ has a mean power, $p_{BS,n}$, given as follows:

$$p_{BS,n} = \frac{p_v + p_b}{2N_B} = \frac{p_{v,n}}{2} + \frac{p_{b,n}}{2}. \quad (23)$$

After band selection, the signal is photodetected. The PIN model used in this work is a square modulus function with responsivity R_λ of 1 A/W. The photocurrent at the PIN output, $i_{PIN,n}(t)$, can be written as:

$$\begin{aligned} i_{PIN,n}(t) &= |\mathbf{e}_{BS,n}(t)|^2 = \\ &= \left| e_{BS,n,\parallel}(t) + n'_{I,\parallel}(t) + jn'_{Q,\parallel}(t) \right|^2 + \\ &+ \left| n'_{I,\perp}(t) + jn'_{Q,\perp}(t) \right|^2. \end{aligned} \quad (24)$$

After some calculations, the PIN output current can be separated in two groups: the signal-dependent current and the noise-dependent current. The signal dependent current, denoted as $i_{s,PIN}(t)$, is given by:

$$\begin{aligned} i_{s,PIN}(t) &= \frac{1}{8} \frac{\pi^2}{V_\pi^2} E_i^2 \times \\ &\times \left[\frac{1}{4} \left(\frac{V_{RMS,imp}}{V_{RMS,s_{b,n}(t)} V_{RMS,s_e(t)}} \right)^2 [s_{I,n}^2(t) + s_{Q,n}^2(t)] + \right. \\ &+ \frac{\sqrt{2}}{2} \frac{V_{RMS,imp}^2 A_v}{V_{RMS,s_{b,n}(t)} V_{RMS,s_{v,n}(t)} V_{RMS,s_e(t)}} s_{PIN}(t) + \\ &\left. + \frac{1}{2} \left(\frac{V_{RMS,imp} A_v}{V_{RMS,s_{v,n}(t)} V_{RMS,s_e(t)}} \right)^2 \right], \end{aligned} \quad (25)$$

with

$$s_{PIN}(t) = s_{I,n}(t) \cos [2\pi(f_{v,n} - f_{RF,n})t] + s_{Q,n}(t) \sin [2\pi(f_{v,n} - f_{RF,n})t]. \quad (26)$$

The first term of $i_{s,PIN}(t)$ is the SSBI, the second term is the received OFDM signal, and the third term is the direct-current (DC) component. The Fourier transform of $i_{s,PIN}(t)$, $I_{s,PIN}(f)$, is given by:

$$I_{s,PIN}(f) = \frac{1}{8} \frac{\pi^2}{V_{\pi}^2} E_i^2 \times \left[\frac{1}{4} \left(\frac{V_{RMS,imp}}{V_{RMS,sb,n}(t) V_{RMS,se}(t)} \right)^2 S_d(f) + \frac{\sqrt{2}}{2} \frac{V_{RMS,imp}^2 A_v}{V_{RMS,sb,n}(t) V_{RMS,sv,n}(t) V_{RMS,se}^2(t)} S_{PIN}(f) + \frac{1}{2} \left(\frac{V_{RMS,imp} A_v}{V_{RMS,sv,n}(t) V_{RMS,se}(t)} \right)^2 \delta(f) \right], \quad (27)$$

with $S_d(f) = \mathcal{F}\{s_{I,n}^2(t) + s_{Q,n}^2(t)\}$ and $S_{PIN}(f) = \mathcal{F}\{s_{PIN}(t)\}$, where $\mathcal{F}\{\cdot\}$ denotes the Fourier transform. The noise-dependent current, denoted as $i_{n,PIN}(t)$, where the noise-noise beat terms were neglected, can be expressed as:

$$i_{n,PIN}(t) = e_{BS,n,\parallel}(t) \left[n'_{I,\parallel}(t) - j n'_{Q,\parallel}(t) \right] + \left\{ e_{BS,n,\parallel}(t) \left[n'_{I,\parallel}(t) - j n'_{Q,\parallel}(t) \right] \right\}^* \quad (28)$$

In order to obtain the noise PSD at the PIN output, $S_{n,PIN}(f)$, the Fourier transform of the auto-correlation function of $i_{n,PIN}(t)$ must be evaluated. After performing some calculations, $S_{n,PIN}(f)$ is given by:

$$S_{n,PIN}(f) = 2S_{ASE} \left[|H_{BS,n}(f + f_{v,n})|^2 + |H_{BS,n}(-f + f_{v,n})|^2 \right] p_{BS,n}. \quad (29)$$

After photodetection, a BPF is used to remove the SSBI and the DC component from the photodetected signal. The BPF transfer function, $H_{BPF}(f)$, is given by:

$$H_{BPF}(f) = \text{rect} \left(\frac{f - f_{RF,n} + f_{v,n}}{B_E} \right) + \text{rect} \left(\frac{f + f_{RF,n} - f_{v,n}}{B_E} \right), \quad (30)$$

where B_E is the BPF bandwidth, which is equal to the OFDM signal bandwidth. The Fourier transform,

$I_{s,BPF}(f)$, of the signal at the BPF output, can be expressed as:

$$I_{s,BPF}(f) = I_{s,PIN}(f) H_{BPF}(f), \quad (31)$$

which is approximately given by:

$$I_{s,BPF}(f) \approx \frac{1}{8} \frac{\pi^2}{V_{\pi}^2} E_i^2 \frac{\sqrt{2}}{2} \times \frac{V_{RMS,imp}^2 A_v}{V_{RMS,sb,n}(t) V_{RMS,sv,n}(t) V_{RMS,se}^2(t)} S_{PIN}(f) H_{BPF}(f). \quad (32)$$

After some calculations, the mean power of $I_{s,BPF}(f)$, $p_{s,BPF}$, can be written as:

$$p_{s,BPF} = \frac{p_{v,n} p_{b,n}}{2}. \quad (33)$$

The noise power at the BPF output can be obtained from the PSD of the noise at the PIN output (Eq. 29) as:

$$p_{n,BPF} = \int_{-\infty}^{+\infty} S_{n,PIN}(f) |H_{BPF}(f)|^2 df = 4 p_{BS,n} S_{ASE} B_E, \quad (34)$$

where B_E is the bandwidth of the low pass filter at the receiver (which has the greatest frequency limitation). The ESNR is defined as the ratio between the signal power, $p_{s,BPF}$, and the noise mean power, $p_{n,BPF}$, at the BPF output. Considering Eqs. 33 and 34, the ESNR is then given by:

$$\text{ESNR} = \frac{p_{s,BPF}}{p_{n,BPF}} = \frac{\frac{p_{v,n} p_{b,n}}{2}}{\left(\frac{p_{v,n} + p_{b,n}}{2} \right) 4 S_{ASE} B_E}. \quad (35)$$

4 PERFORMANCE EVALUATION METRIC

The figure of merit used in this study to categorize the system performance is the BER, which can be estimated as a function of the ESNR with the following expression (Peng et al., 2012):

$$\text{BER} = \frac{1 - \frac{1}{\sqrt{M}}}{\log_2(\sqrt{M})} \text{erfc} \left(\sqrt{\frac{3 \text{ESNR} \log_2(\sqrt{M})}{(M-1) \log_2(M)}} \right), \quad (36)$$

where $\text{erfc}(\cdot)$ is the complementary error function, and M is the number of distinct symbols of the quadrature amplitude modulation format. Knowing that $p_o/p_{b,n} = N_B \text{OBPR}$, $p_v/p_{b,n} = N_B \text{VBPR}$,

$p_b/p_{b,n} = N_B$, $p_{RF} = V_{RMS,imp}^2$, and using Eqs. 35 and 16, the ESNR can be expressed as:

$$ESNR = \frac{1}{N_B} \frac{VBPR}{(VBPR + 1)^2} C_{RF} \frac{B_N}{B_E} OSNR, \quad (37)$$

with

$$C_{RF} = \frac{2\pi^2 p_{RF}}{\pi^2 p_{RF} + 8V_\pi^2}. \quad (38)$$

Some important conclusions can be derived from Eq. 37. Keeping p_{RF} constant, the ESNR of one band is inversely proportional to N_B , which means that transmitting more than one band will require an OSNR increase proportional to the number of bands to achieve the same performance as when only one band is transmitted. An increase of VBPR will also lead to a higher required OSNR, to achieve the same performance obtained with low VBPR. This is because the power attributed to the OFDM band decreases and the power assigned to the VC increases, meaning lower ESNR.

5 NUMERICAL RESULTS

The effectiveness of the proposed analytical model for MB-OFDM systems is assessed by comparing its estimates with the ones of numerical simulation using MATLAB. The OSNR that leads to a BER = 10^{-3} ($OSNR_{req}$) and the BER itself are used as figures of merit. To assess the analytical method (AM) accuracy, the BER obtained with the AM is compared with the BER retrieved from numerical simulation (NS) using the exhaustive Gaussian approach (EGA) (Alves and Cartaxo, 2010). In the analysis, each OFDM symbol has 128 subcarriers, each OFDM band has a bit rate of 5 Gb/s and a bandwidth of 2.5 GHz, the maximum total bit rate (assuming a maximum of 4 bands) is 20 Gb/s, and the following parameters are fixed: $M = 4$, $V_\pi = 5V$, $B_E = 2.5$ GHz, $B_N = 12.5$ GHz, $f_{RF,n} \in [2.25, 8.25, 14.25, 20.25]$ GHz and $f_{v,n} \in [6, 12, 18, 24]$ GHz with $n \in [1, 2, 3, 4]$.

The linearized MZM with the relationship between the applied voltage and field at the MZM output given by Eq. 8 is used in the numerical results. A particular study, in which a real MZM is considered in the simulation, is also performed and explicitly mentioned. The target of this particular study is to assess the validity range of the AM in presence of MZM distortion. With the real MZM, is important to impose that the VC frequencies are multiple of $f_{v,1}$ (in this work, $f_{v,1} = 6$ GHz), in order to guarantee that the inter-modulation products of the VCs do not interfere with the OFDM bands.

The number of bands affects significantly the performance of the MB-OFDM system, as it was con-

cluded through analysis of Eq. 37. Fig. 3 shows the $OSNR_{req}$ as function of $V_{RMS,imp}$ for $N_B = [1, 2, 4]$, obtained with the AM and with NS. A VBPR of 15 dB is imposed. Fig. 3 shows that the AM results have excellent agreement with the ones obtained with NS. Fig. 3 also demonstrates that when N_B doubles, the $OSNR_{req}$ increases 3 dB. Fig. 3 shows also that increasing $V_{RMS,imp}$ leads to a $OSNR_{req}$ decrease, which is valid for this system because it does not exhibit MZM distortion.

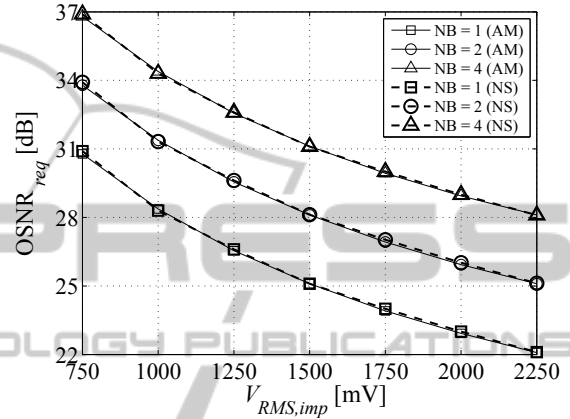


Figure 3: $OSNR_{req}$ as function of $V_{RMS,imp}$ for $N_B = [1, 2, 4]$, with AM (solid lines) and NS (dashed lines), with a fixed VBPR of 15 dB.

Another parameter besides N_B that influence significantly the performance results is the VBPR. Fig. 4 shows the $OSNR_{req}$ as function of $V_{RMS,imp}$ for VBPR = [3, 9, 15] dB, with the AM and with NS. The MB-OFDM system has four bands ($N_B = 4$). Fig. 4 shows an excellent agreement between the AM results and the NS results. Fig. 4 also shows that increasing VBPR leads to an increase of the $OSNR_{req}$. This increase is higher for higher VBPRs.

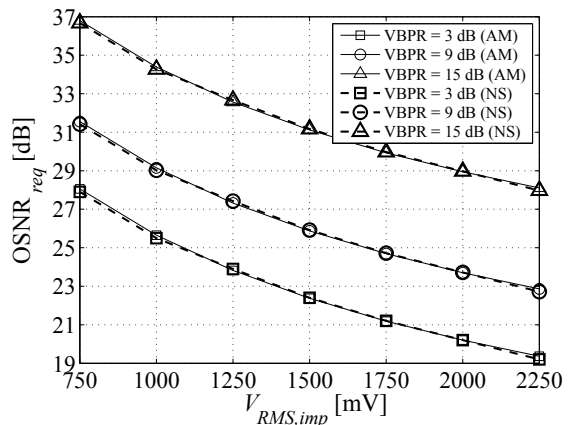


Figure 4: $OSNR_{req}$ as function of $V_{RMS,imp}$ for VBPR = [3, 9, 15] dB, with AM (solid lines) and NS (dashed lines), and with $N_B = 4$.

In the results of Figs. 3 and 4, the VCBG is selected in order to avoid the SSBI overlapping with the received OFDM band. However, it is important to verify the resilience of the AM when PIN distortion interferes with the information-bearing signal, as a smaller VCBG means more spectral efficiency. Fig. 5 shows the BER as function of the VCBG width in GHz, for $VBPR = [3, 9, 15]$ dB and $V_{RMS,imp} = 1500$ mV. The OSNR is 22.4 dB for $VBPR = 3$ dB, 25.9 dB for $VBPR = 9$ dB and 31.1 dB for $VBPR = 15$ dB. With these OSNR levels and as the AM does not take into account the PIN distortion, the BER obtained using the AM is 10^{-3} for all VCBG widths. Therefore, Fig. 5 only shows the NS results. Fig. 5 shows that the SSBI caused by the PIN affects the performance when the VCBG width is lower than the bandwidth of the OFDM signal, as the SSBI spectrum overlaps the OFDM signal spectrum. Fig. 5 shows also that the BER degrades more substantially for lower VBPRs. This is because lower VBPR levels leads to more SSBI power.

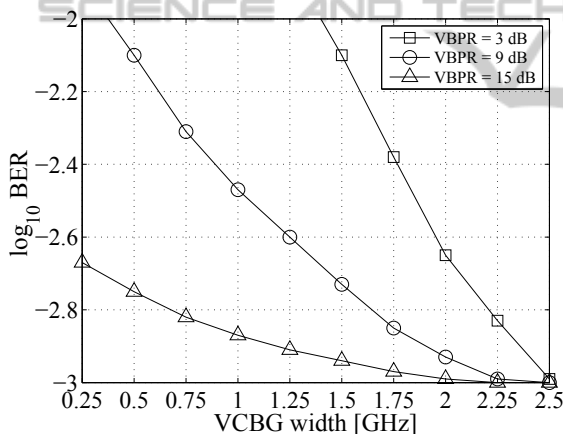


Figure 5: BER as function of the VCBG width, for $VBPR = [3, 9, 15]$ dB and $V_{RMS,imp} = 1500$ mV, with NS. With the AM, the BER is 10^{-3} for all VCBG widths.

The results shown in Figs. 3, 4 and 5 present the effects of ASE noise and PIN distortion on the performance. However, the effects of MZM distortion were not considered in the simulation in those results as a linearized MZM is assumed in the analytical formulation. To illustrate the impact of MZM nonlinearity on the required OSNR and assess the validity range of the AM presented in this work, a real MZM described by Eq. 7 is considered in the simulation.

Fig. 6 shows the $OSNR_{req}$ as function of the $V_{RMS,imp}$, for $VBPR = [3, 9, 15]$ dB, and for the first band which is the most affected by MZM distortion. The MB-OFDM system has four bands ($N_B = 4$), and a VCBG width of 2.5 GHz is imposed. Fig. 6 shows that the MZM distortion causes a performance degra-

degradation as the RMS voltage increases. For RMS voltages around 400 mV, the minimum $OSNR_{req}$ is obtained. From the simulation results, the minimum $OSNR_{req}$ for $VBPR = 3$ dB is 38 dB, for $VBPR = 9$ dB is 40 dB, and for $VBPR = 15$ dB is 45 dB. The error committed by the AM in the minimum $OSNR_{req}$ is approximately 4 dB for $VBPR = 3$ dB and for $VBPR = [9, 15]$ dB is approximately 3 dB. The analytical modeling of this work assumes noise-impaired MB-OFDM systems. Hence distortion-impaired systems are not well described by this model. This occurs for $V_{RMS,imp}$ higher than approximately 200 mV, which in modulation index ($V_{RMS,imp}/V_\pi$ in percentage) is 4%.

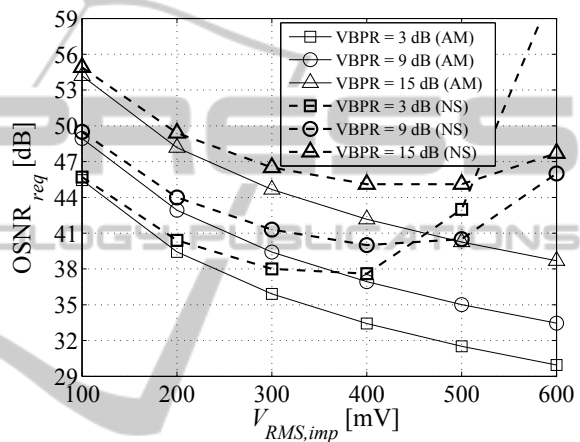


Figure 6: $OSNR_{req}$ as function of the $V_{RMS,imp}$, for $VBPR = [3, 9, 15]$ dB. A MB-OFDM system with 4 bands ($N_B = 4$) is considered. A real MZM is considered in the simulation.

6 CONCLUSIONS

An analytical model for performance evaluation of ASE noise-impaired direct-detection SSB MB-OFDM systems has been proposed. The effectiveness of the analytical model has been verified through comparison with numerical simulation using the EGA to evaluate the BER. Excellent agreement in the BER results when MZM and PIN distortion do not interfere with the MB-OFDM signal has been shown. When PIN distortion is affecting the MB-OFDM signal, the analytical model provides more accurate estimates for high VBPRs. When MZM distortion is interfering with the MB-OFDM signal, the analytical model presents a deviation in the required OSNR not exceeding 1 dB, for modulation indexes lower than 4%. The analytical modeling for distortion-impaired MB-OFDM systems, as well as the MB-OFDM system optimization in order to achieve the best required OSNR, will be reported elsewhere.

ACKNOWLEDGEMENTS

The work of Pedro Cruz was supported by Fundação para a Ciência e a Tecnologia from Portugal under Contract SFRH/BD/85940/2012 and by projects MORFEUS-PTDC/EEI-TEL/2573/2012 and PEst-OE/EEI/LA0008/2013.

REFERENCES

- Alves, T. and Cartaxo, A. (2010). Extension of the exhaustive gaussian approach for BER estimation in experimental direct-detection OFDM setups. *Microwave and Optical Technology Letters*, 52(12):2772–2775.
- Armstrong, J. (2009). OFDM for optical communications. *Journal of Lightwave Technology*, 27(3):189–204.
- Blouza, S., Karaki, J., Brochier, N., Rouzic, E., Pincemin, E., and Cousin, B. (2011). Multi-band OFDM for optical networking. In *Proceedings of the International Conference on Computer as a Tool*. IEEE.
- Christodouloupoulos, K., Tomkos, I., and Varvarigos, E. (2011). Elastic bandwidth allocation in flexible OFDM-based optical networks. *Journal of Lightwave Technology*, 29(9):1354–1366.
- Cvijetic, N. (2012). OFDM for next-generation optical access networks. *Journal of Lightwave Technology*, 30(4):384–398.
- Kim, S., Seo, K., and Lee, J. (2012). Spectral efficiencies of channel-interleaved bidirectional and unidirectional ultradense WDM for metro applications. *Journal of Lightwave Technology*, 30(2):229–233.
- Li, Z., Xiao, X., Gui, T., Yang, Q., Hu, R., He, Z., Luo, M., Li, C., Zhang, X., Xue, D., You, S., and Yu, S. (2013). 432-Gb/s direct-detection optical OFDM superchannel transmission over 3040-km SSMF. *IEEE Photonics Technology Letters*, 25(15):1524–1526.
- Lowery, A., Du, L., and Armstrong, J. (2006). Orthogonal frequency division multiplexing for adaptive dispersion compensation in long haul WDM systems. In *Proceedings of the Optical Fiber Communications Conference*, number PDP39. OSA.
- Peng, W., Morita, I., Takahashi, H., and Tsuritani, T. (2012). Transmission of high-speed (>100 Gb/s) direct-detection optical OFDM superchannel. *Journal of Lightwave Technology*, 30(12):2025–2034.
- Shieh, W. (2011). OFDM for flexible high-speed optical networks. *Journal of Lightwave Technology*, 29(10):1560–1577.