

Challenges when Creating Variable-structure Models

Alexandra Mehlhase, Daniel Gomez Esperon and Thomas Karbe

Software Engineering, Technische Universität Berlin, Ernst-Reuter-Platz 7, 10587, Berlin, Germany

Keywords: Variable-structure models, Mathematical models, Differential equations, Modeling guidelines.

Abstract: Variable-structure models can switch their system of equations during a simulation, allowing for a change of level of detail or behavior. The need for this kind of models has been well-established, and there are simulation environments that can handle them. While most research papers on this topic focus on language and tool issues regarding variable-structure models, in this paper, we will shed some light on the pragmatics of actually creating such a model in a reusable way. During the construction of a variable-structure model, the modeler will face several challenges, such as the initialization of new modes during mode switches. We will collect and discuss the most important challenges and, if possible, provide rules of thumb on how to handle these challenges appropriately.

1 INTRODUCTION

According to Mahr, modeling means always to create a model *of* something *for* some purpose (Mahr, 2008). Thus, on the one hand, a model is always an abstract representation of some other entity. Only some of its properties are taken over to the model, while others are left out on purpose. On the other hand, the selection of those properties is guided by the purpose of the model. In (Top, 1993) the author gives a more specific explanation:

The modeling problem is to construct the most simple artifact that allows an adequate answer to a given query.

Therefore, the quality of a model could be judged by the simplicity of the model, as long as it fulfills its purpose.

This means that the main challenge in modeling is to find the right level of abstraction to answer a given query. It should not include any information that is not necessary for the answer, but all information that is needed.

In the field of mathematical models with differential-algebraic equations (DAEs), there are two major factors that add complexity to the modeling problem. First, models tend to become quite large and are therefore split into submodels, which are models on their own for some part of the problem domain which can be reused. Second, during the course of a simulation sometimes different aspects of the problem are of interest or needed in a different level of detail.

An example of this is the model of an airplane taking off on a runway, then increasing height, and finally arriving at traveling height. Since in this example three different stages of a flight are simulated, there should be three specific models, one for each stage. Then, the flight simulation should switch between the different models when appropriate.

Models with different states between which they can switch during simulation depending on the current situation are called *variable-structure models*. Each state in such a model is called a *mode*, and the model can switch between modes through *transitions*. While simulating such a model one mode is always active and represents a state of the modeled system. When a transition is activated through a *guard*, a new mode becomes active. The new mode then needs to be initialized and the simulation continues in the new mode.

It is well-established that there is a need for variable-structure models and that they can generally be handled in a simulation environment (Heinzl et al., 2012), (Elmqvist et al., 1993). However, these environments are mostly prototypes or experimental frameworks for now. In these specialized frameworks the models need to be reimplemented in the language specific to the framework. Common simulation environments like Dymola (Dassault Systems, 2015) and Simulink (The MathWorks Inc., 2013a) provide only limited support of variable-structure models.

Therefore, there is not much experience with modeling large models or how to adapt models, which al-

ready exist, in simulation environments like Dymola or Simulink. Using modes and transitions between modes gives modelers a much wider tool set, but it also introduces new challenges that have to be considered. In non-variable-structure models, the modeler just had to find appropriate start values for the one model. Now, he also has to decide when and how often a mode switch should take place, and for each mode switch, how to initialize the newly activated mode.

In this paper, we regard modeling of variable-structure models, since it is already shown in different papers that variable-structure models can be simulated. We present a collection of challenges that often occur when creating variable-structure models, and give rules of thumb (RoT) to handle them. These challenges and ruled of thumb are regarded independent of the domain and hold true for models which are described with differential-algebraic equations.

Chapter 2 gives a basic overview of the state of the art in variable-structure modeling and simulation. Chapter 3 covers the architecture of variable-structure models regarding their equations, variables and interfaces. In Chapter 4 the initialization routines are discussed in detail while Chapter 5 focuses on guards of transitions. Chapter 6 summarizes the evaluation of the proposed rules of thumb. Chapter 7 concludes the paper and presents future works.

2 STATE OF THE ART

General purpose modeling languages like Modelica (by the Modelica Association (The Modelica Association, 2012)) and Matlab Simulink are well established but their support for variable-structure models is very limited. This special form of modeling has been investigated for more than twenty years (Heinzl et al., 2012). Many different experimental languages and simulation environments have been developed to model and simulate changes in model structure.

One of these tools is MOSILAB (Nytsch-Geusen et al., 2005), (GENSIM Project, 2007), which uses a Modelica-like language to describe the models. The modes and transitions are described through a Statecharts-like (Harel, 1987) view. The simulation is realized through an integrated simulation engine. In MOSILAB only Index-0 models can be simulated since no index-reduction is integrated yet.

Another approach is the experimental language SOL which provides a language and a simulator (Zimmer, 2010). The variable-structure simulation framework of SOL can handle higher-index models.

Another tool often used is Ptolemy (Ptolemaeus,

2014) which also enables the modeler to use different modes.

Other approaches to describe variable-structure models in specific languages are the theorem prover for hybrid systems called KeYmaera (Platzer and Quesel, 2008), the functional language Hydra (Nilsson et al., 2003), the event based approach of DEVS (Pawletta et al., 2002), the Matlab/Simulink libraries SimEvents (Clune et al., 2006), and Stateflow (The MathWorks Inc., 2013b).

A framework to model and simulate variable-structure models without having to implement the modes in a new language is introduced in (Mehlhase, 2013). Here, common simulation environments are used to simulate each mode whilst the mode changes are handled by the framework.

The current state of the art is that variable-structure models can be modeled and simulated. There are algorithms, tools and frameworks to simulate and test such models. A formalization approach to tackle challenges of hybrid systems, to which variable-structure models belong, is described in (Mosterman and Biswas, 1997).

Yet, it is not well-established what has to be considered and what challenges occur compared to classical modeling.

3 BASIC ARCHITECTURE OF VARIABLE-STRUCTURE MODELS

It is important to understand the principles and goals in classical modeling before discussing the challenges of variable-structure modeling in detail.

A real system usually consists of many related components. Each of these components is also a system and can consist of components itself. It is therefore built hierarchically. This approach is necessary to be able to build systems out of components and exchange components if necessary.

While modeling such a system it is helpful to use the same approach and create a model that has components which can again consist of components. A model that describes a part of a whole will be called *component*. Components on one hierarchy level can be connected through the variables in their interfaces. An interface is a collection of variables and components can have an arbitrary number of interfaces. Figure 1 shows three components (*A*, *B*, *C*) connected through their interfaces (circles appended to the components). These interfaces are connected through equations (rectangles on connecting line) which de-

scribe the relation between these interfaces. We will call these equations *relation-equations* to not confuse them with Modelica connect-equations since they do not have the same semantics. The relation-equations can be any kind of equation to specify the connection of interfaces. Therefore, the relation-equations are a more general description and abstract the Modelica connect-equations as well as Simulink connections between interfaces.

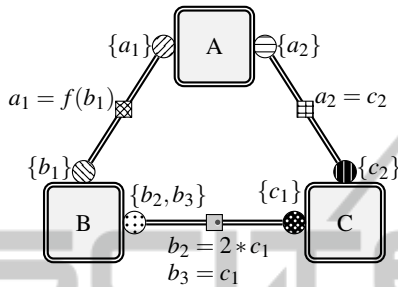


Figure 1: Model with three components.

Each component encapsulates behavior and should be usable in different contexts. A created component can therefore be used many times as long as the interfaces of the component can be connected.

When looking at variable-structure models, the exchange of components itself needs to be modeled. Therefore, it is sensible to encapsulate such exchanges in components to enable reusability.

3.1 Modes and Transitions

A variable-structure model generally consists of an arbitrary number of modes. A mode is a component which can be exchanged during simulation through another component.

Figure 2 shows a simple variable-structure model in a Statecharts-like syntax. The model consists of four modes (*A*, *B*, *C* and *D*) and is always represented by one of them.

Like in Statecharts an initial mode has to be defined. Furthermore, the first mode might need to be initialized with user-defined values. This initialization process is equivalent in classical modeling. In this example mode *A* is the initial mode and is initialized through *init*.

Each transition leads from one mode to another. A transition is activated when a guard (e.g. $a1_g, b1_g$) becomes true. When a transition is activated, the simulation of a mode stops and the new mode needs to be identified. This new mode needs to be initialized through a routine defined in the transition. During the mode switch the simulation time does not continue.

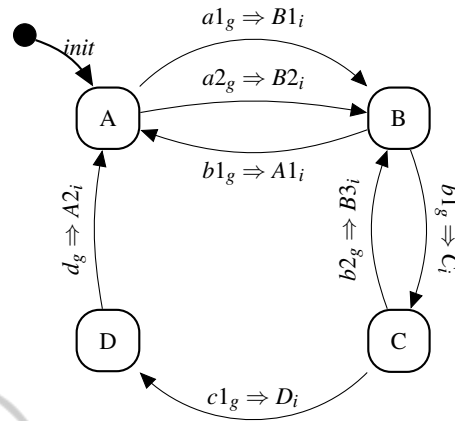


Figure 2: Variable-structure model with four modes.

Simulation time only moves on during the simulation of a mode.

A transition therefore consists of the following information:

- Pre mode
- Post mode
- Guard
- Initialization routine.

3.2 Modes in Components

So far we have looked at components and their relation and modes in general. Now we take a look at modes inside a component. Models usually consist of components which can often be used in other models. Many modeling tools/languages (e.g. Modelica) have libraries with components. These can be used to create a specific model. The same should be possible with components containing modes. To accomplish this the modes and components have to fulfill certain criteria.

3.2.1 Interfaces

Figure 3 shows a model with two components.

Component *A* has two modes, therefore it is represented by either the component *A1* or *A2* at a specific simulation time. If the interfaces of *A1* and *A2* are identical, the relation-equations to the component *B* do not have to change during a mode switch.

Only the intern variables and equations of *A* change.

RoT-1 uniform interface I: For reusable components all modes in the component should have the same interfaces.

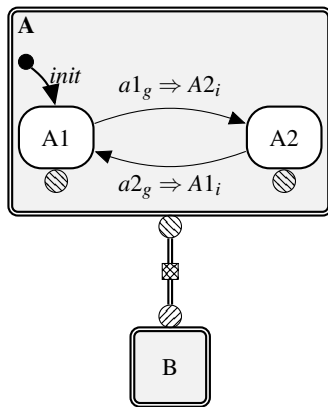


Figure 3: Component A consists of two modes with identical interfaces.

When this model is simulated, it starts with the compositions of A1 and B since A1 is the initial mode of A. When the transition is activated, the component A2 is initialized and the simulation of the composition of A and B is resumed.

If the interfaces of the modes are not identical, the mode switch is not as simple. The mode switch cannot be defined locally since the relation-equations to the other components also need to change.

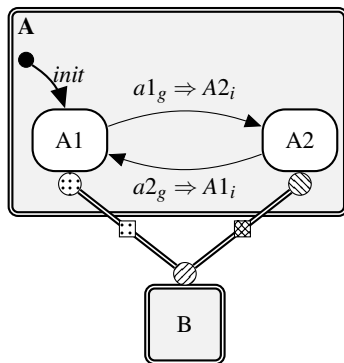


Figure 4: Model with two components. Component A has two modes with different interfaces.

Figure 4 shows such an example. Such a model can be created but the advantage of reusability is lost since component A with its modes cannot be used in other models without adapting the context the component is used in. In Figure 4 the relation-equations are different for the two modes, represented through the two separate connecting lines. The goal is to create components with modes which can be used in different models the same way a component without modes can be used.

The interfaces of the modes should be adapted to be the same in all modes. Adapting the interfaces is straight forward since the individual relation-equations of the modes can be used to define the new

interface which then matches the needed one. Figure 5 shows this approach graphically. New modes are created (A1_a, A2_a) that wrap the old modes (A1, A2) to adapt the interfaces. The old modes (A1, A2) are then only components and the new modes (A1_a, A2_a) consist of the old mode and the old relation-equation with the new interface.

The mode switch is again local inside a component and Component B needs no information about the mode switch.

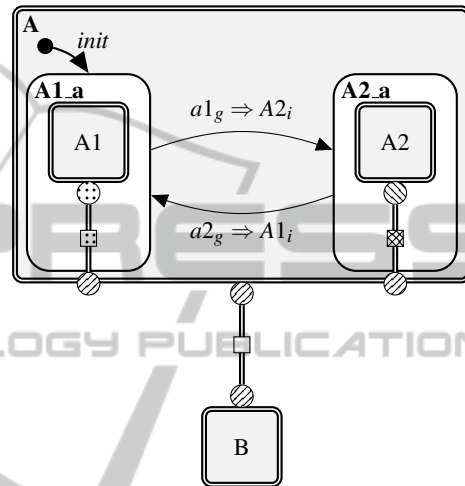


Figure 5: Model with adapted interfaces.

RoT-2 uniform interface II: If modes in components do not have the same interface, the modes should be encapsulated by an adapter mode.

3.2.2 Variables and Equations Inside Modes

The different combinations of active modes with other components must lead to a solvable system of equations. In Figure 4, this means the composition of A1 and B as well as A2 and B must be a solvable system of equations.

RoT-3 solvable combinations I: All reachable mode combinations must lead to a solvable system of equations.

For the simulation in current environments it is a necessary requirement that the number of equations and number of unknown variables in a model are equal. As presented in (Broman, 2010) one can depict a *Constrained Delta* C_{Δ} for each component. This C_{Δ} represents the delta of equations to unknown variables for each component. A model can only be simulated if the C_{Δ} is zero. Otherwise the system of equations is not solvable. In a component consisting of components the relation-equations as well as the variables

and equation of each component are taken into account.

To define encapsulated components with modes the C_{Δ} has to be the same in all modes. Otherwise the modes are not locally exchangeable since the overall C_{Δ} would differ from zero if the context of the component does not change during a local mode switch.

RoT-4 solvable combinations II: All modes in a component must have the same C_{Δ} for locally definable mode switches.

4 INITIALIZATION

To understand the importance of a correct initialization it is necessary to look at the basics first. The initialization of a set of differential-algebraic equations influences the results and sometimes even the stability of the simulation's results significantly.

A steady-state is often sought after for the initialization to minimize the possibility of wrong results (Casella et al., 2011).

When regarding variable-structure models it is not only necessary to find a consistent set of values for the start of the simulation. Instead, for each mode switch a separate initialization needs to take place. This initialization mostly depends on the state the model was in when the transition was activated and it is not sufficient to use static values. The initialization routine is part of the transition since only the transition has information about the previous and the next mode.

RoT-5 initialization: Each transition must define an initialization routine.

4.1 Using the Last State of the Old Mode

The easiest way to initialize a mode is by starting the simulation where the old mode left off. An example of this is a pendulum (mode 1) becoming a falling mass (mode 2) when the centrifugal force is smaller than zero. In this case the simulation of the falling mass should start at the exact position and velocity where the pendulum simulation left off. Assuming both modes have the necessary variables x , y , v_x and v_y representing the position and velocity, a simple one-to-one-mapping is possible that maps the old state to the new state.

If the modes of a transition do not have the same variables, such a one-to-one-mapping of values is not possible. For the above example the pendulum mode might only have the variables for the angle φ and the

angular velocity der_{φ} . The falling mass on the other hand needs the Cartesian coordinates. In this scenario a calculation needs to take place to transform the old state to the new state (mapping).

RoT-6 initialization Function: The initialization can use the previously simulated data of the old mode to initialize the next mode through a mapping.

4.2 Using Past Data

In variable-structure models it is not only possible to exchange components but also to delete or generate new components. In case an added component has not previously been in the model it might not be sufficient to use only the previously calculated simulation results. An example of such a model is a pipe network where some of the pipes were cut off through valves at the beginning of the simulation. When a valve opens, further pipes need to be simulated. The modeler has to give information about the state the new pipe or pipes should be in after a transition.

RoT-7 component Generation: The initialization can use external data.

Another scenario might be that a pipe gets cut off, which enforces a mode switch and later on the pipe is added again. In such a case it can be sensible to use the old state of the pipe for its initialization. Meaning that not only the past data of the previous mode is necessary in the initialization routine but also the past data of this mode's own previous state.

RoT-8 state Storage: The initialization has access to previous states of the new mode.

4.3 Time Consuming Transitions

Transitions also require modeling since they describe the whole switching process from one mode to another. This model did for now not need any simulation time and was not simulated by a solver. The simulation of the previous mode stopped and so did the simulation time until the next mode's simulation was started.

Sometimes such an abrupt change is not feasible and leads to discontinuities in the simulation's results, which should usually be avoided. Therefore, transitions can be modeled with their own mode. Meaning that for a desired switch from A to B there exists a third mode AB which models the transition. Of course, then there need to be transitions from $A - AB$ and $AB - B$ but since the mode AB is created merely

for the transition from *A* to *B* the two transitions can usually be kept quite simple.

Two different kinds of *in-between modes* are possible:

1. **Deriving the in-between Mode from the modes A and B:** An in-between mode can be derived by simulating both modes simultaneously. During the simulation of the in-between mode results of the two modes are weighted. The simulation is started with the old mode weighted with 100% and the new mode with 0% and altered until the old mode has a weight of 0% and the new one of 100%. The mode switch should then not have any discontinuities in the important variable's values. This approach is possible when the level of detail is changed. If the behavior changes, it is usually not the case that during a switching period both modes are valid. A drawback of this method is that during the mode switch two systems of equations are used, which makes the simulated system of equations quite large.
2. **Creating a new in-between Mode:** A new mode can be defined that models the mode switch with equations exclusively for this mode switch. This is for instance useful for clutches. In one mode the clutch is disengaged in the other one engaged. The transition is neither possible to model with the one or the other mode since the clutch is somewhere in between.
This approach is possible when there is a switch in behavior. Usually this means that more modes need to be regarded than were obvious.

RoT-9 Time Consuming Transitions: For complex transitions an in-between mode should be introduced.

4.4 Jump Into the Past

The above initializations assumed that the simulation of the next mode starts where the old simulation stopped. Sometimes, it is necessary that the new mode's simulation does not start exactly where the old simulation left off. If the current mode is less detailed, the deviation that causes the transition event might be detected too late. In such a case it is useful to go back in time during a mode switch to let the new mode's simulation start off at a time step when the result was more accurate. Then, a critical point can be calculated anew to make certain that the values are correct. Furthermore, it allows to calculate the new start values in a region when the old mode is still in a state where it was valid, e.g. steady-state.

Figure 6 shows how the results of such a simulation might look like. It is assumed that a less detailed mode is used with a variable x . The delta between the values of x from two time steps is used to activate a transition. Since the mode is assumed to be less detailed, the variable might not change as fast as it would in a more detailed mode. When the transition is activated there is a time jump into the past and the more detailed mode is initialized with past data.

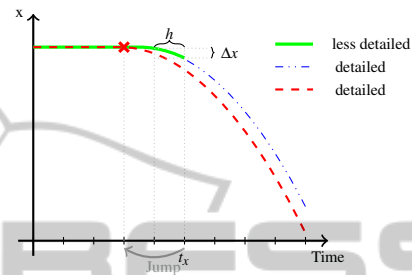


Figure 6: Mode switch with a jump into the past

Here the modeler has to decide how far the simulation time should be reset. For the specified time, initialization values need to be available.

RoT-10 past states: The initialization has access to past states to allow for steps back in time.

4.5 Initialization for Modes in Components

The approaches above regarded the initialization in general and they are valid for transitions on the highest hierarchy level and on the component level.

When looking at the component level, the scope of the components has to be considered. Since the idea of a component is to encapsulate behavior, a component can only use data available in this component. This applies to modes in a component as well as to the transitions between these modes.

Consider Figure 7 which presents a model with two components. One component represents a pipe which is split into 100 elements to calculate the mass (m), pressure (p) and temperature (T) accurately. The other mode only has 10 elements and is less detailed. This gives us the means to calculate the values of the above variables more or less accurately during the simulation. The pipe is connected on one side to a throttle which calculates a mass flow out of the pipe depending on the temperature and pressure from the pipe's end and a parameter P . The pressure and temperature are assumed to be inputs for the throttle while the mass flow is the output.

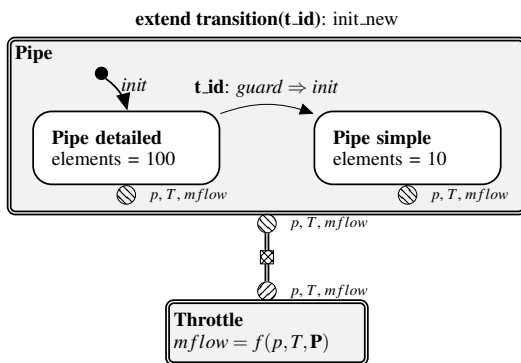


Figure 7: Pipe model with components *Pipe* and *Throttle*.

The initial state of the model is the pipe with 100 elements connected with the throttle. When a mode switch occurs, for instance because the temperatures in the elements do not differ much anymore, the new mode with only 10 elements needs to be initialized. In this case it is sensible to combine 10 elements into one new element, e.g. $t1_{new} = \text{mean}(t1_{old}, \dots, t10_{old})$, $m_{new} = \text{sum}(m1_{old}, \dots, m10_{old})$.

During a mode switch as described above the values of T and p change during the initialization routine. When the pressure and temperature change, the mass flow through the throttle also has to change since it depends on T and p . The local mode switch in the pipe implicitly changes a value of the throttle. This also means that the switch is not local. As soon as output variables (p , T) change their values and influence connected components, the initialization is not restricted to the component the mode switch is in.

To make sure that this does not occur one should abstain from changing output values during a local mode switch. This might of course be difficult to ensure in acausal modeling since during the modeling of the components the outputs are not defined and are dependent on the context. In a modeling language with causal behavior this is easier to realize since the input/output relation is hard coded.

RoT-11 change of outputs: The initialization in a component should not change output values.

Since the above rule cannot be ensured all the time, there need to be possibilities and rules to handle initialization routines implicitly to change values from other components. There are different possibilities which can be assumed during such mode switches in components:

1. **Everything not specified should stay the same.** This means that only the values of the variables in the switching component are influenced. All other components without a mode switch try to keep their values. This usually means that the pa-

rameters and state variables will keep their values whereas other variables might change their values, e.g. *massflow* changes while P keeps its value even though this leads to a discontinuity in the mass flow.

2. **Everything not specified must stay the same:** This means that all variables and parameters from components without a mode switch must keep their values. Therefore, it would not be allowed to change the values of output variables during an initialization routine. If all outputs keep their values, values of other components do not have to change.
3. **Local transitions know the global context:** This means that transitions have access to the context they are in and can therefore initialize other components. This is often an approach in state machines and their parallel components (Harel, 1987). In the context of modeling does not seem feasible since the context of a component should be exchangeable and a component should have a local scope. Otherwise it would not be possible to use a component with modes in different contexts.
4. **Extension of local transitions:** This means that the user can extend or redefine local transitions in one of the higher hierarchy levels if necessary. In most cases it should suffice to use the local transitions but sometimes it is not possible to initialize the new mode and its context correctly through the local initialization routine. If this is the case, it should be possible to overwrite the local transition on a higher hierarchy level and redefine the initialization routine. To accomplish this a transition should have an ID. This ID can be used to identify the transition to be overwritten. Since this new routine is on a higher hierarchy level, it can use data from its current hierarchy level and is not limited to the local scope of the old transition.

In the example above such an extended transition is used to overwrite the initialization routine of the local mode with *init_new*. In this routine one might define that the value P should change rather than the value of *mflow* to avoid discontinuities.

We suggest a mix of the first and fourth approach. When nothing else is specified the values of parameters and state variables should keep their values. But to make the initialization more flexible the modeler should have the means to overwrite or extend a transition to specify a global initialization which takes the variables of other components into account.

RoT-12 change of Outputs: The initialization can be extended on a higher level.

5 GUARDS

A transition is activated when its guard becomes true. During its activation the transition leads to a mode switch which uses the initialization routines already discussed. As a result of the modularization and the local scope of components the guards of transitions inside of components can only depend on the local data of that component's currently simulated mode. Otherwise the components would again not be exchangeable since it would be context dependent.

5.1 Basics

The most basic decision regarding transitions is when a mode switch should occur. In some cases this is simple as with the already discussed pendulum example. When the centrifugal force (F_{centri}) is below zero the mass of the pendulum will not continue on its circular path. The mass will begin to fall which leads to different equations to describe the behavior. The guard would therefore be $F_{centri} < 0$.

When looking at changes in the behavior it is often possible to look at the real system and fragment the behavior in different phases depending on the mathematical description which is necessary for the different phases. If two phases of a real system do not need different sets of equations to describe their behavior, there do not need to be two modes in a mathematical model. If the phases are obvious, it is often possible to find obvious guards when to switch. It is important though that the guards are chosen in a manner that avoids many switches back and forth between two modes in a short time (also called chattering). This can be avoided by using hysteresis in the guards or by demanding that a mode is active for a minimum time.

RoT-13 *avoid chattering:* Chattering between two modes should be avoided.

Regarding variable-structure models which switch their level of detail, the guard is usually not clear since both modes describe basically the same system only with a different granularity. The modeler has to decide when the switch of detail needs to take place. The modeler already decided about the granularity of the modes when he created them and probably has a basic idea why and when this switch should occur. As was shown and discussed in Figure 6 the choice of the guard can influence the simulation significantly.

When in doubt the modeler should use the more detailed mode for longer periods than necessary instead of switching too early. If the results are accurate enough, one can change the guard to use the more detailed mode for a shorter time to enhance per-

formance. It should always be the goal though not to reduce the accuracy.

RoT-14 *preserve accuracy:* For variability in detail start with a simulation using the detailed mode for a longer time and then reduce this period.

In classical modeling it is common practice to try to initialize a model in a steady-state. This usually leads to an easier and stable initialization of the model. This should also be the goal for variable-structure models. Therefore the guards should be chosen in a steady-state to make the initialization easier and safer.

RoT-15 *steady-state initialization:* A mode switch should occur when the previous mode is in a steady-state.

5.2 Guards for Modes in Components

The rules above also apply for the guards of transitions between modes in components. But if there are many components each having modes and therefore transitions between these modes, also other challenges have to be regarded.

We present challenges by examples of two mode switches but it can be generalized to more switches.

5.2.1 Two Simultaneous Mode Switches

It might be necessary that two components switch their modes at the same time. This is for instance sensible if both components change their level of detail and a mix between a detailed and a less detailed component is not feasible. The problem is that the mode switches are in components with each having a local scope. This means that the transitions do not have knowledge about the mode switches in other components. Similar to extending a transition's initialization to a higher level, a guard can be described on a top level to synchronize transitions.

RoT-16 *synchronized guards:* Describe the guard on a top level to synchronize simultaneous mode switches.

During modeling it might happen that two transitions in two components have the same guard depending on variables with the same values over time (possible through the interfaces). In this case, the simulation environment might be able to detect both guard activations. Both local transitions can then take place simultaneously.

As already discussed local transitions can implicitly influence values from other components which

can lead to problems when two transitions are activated at the same time. A question is in which order the transition's initialization routines are evaluated. This order might influence the behavior of the whole model since values from the first initialization might be overwritten by the second. If this problem occurs, the modeler should overwrite the local transitions by a transition on a higher hierarchy level again.

When conditions are not completely equal since they were locally defined but the user would like to have them switch in the same instant, a new transition should also be defined which can activate local transitions or overwrite them to specify the wanted mode switches in the components.

RoT-17 *synchronized initializations*: Describe the initialization on a top level to avoid conflicts during simultaneous mode switches.

5.2.2 Two Consecutive Mode Switches

A mode switch in one component might influence the initial values of another component if values of outputs were changed. This can lead to a problem if a value is changed which is used as a guard in a transition. If this value changes in a way that the guard is skipped, a necessary mode switch would not occur and might render the whole simulation's results unusable.

This should be avoided either by checking that no other guards are passed during the initialization or by overwriting a transition on a higher hierarchy level.

RoT-18 *skipped guards*: Consider skipped guards during the initialization routine of other transitions.

6 EVALUATION

The proposed rules of thumb are based on real world examples, which were modeled and simulated in the DySMo framework. A short description of three of these models is given in the following.

Air-condition Model (Mehlhase et al., 2012): This is an example of a variable-detail model where components can be removed. To remove components it was necessary to adapt the interfaces of the components remaining in the model. For the initialization routines initialization functions and past data was needed. In this example about 60% of simulation time was saved through the variable-structure approach.

Rocket Model (Mehlhase et al., 2014): This model describes a rocket flight with three stages.

The component representing the propulsion had three modes: Starting the propulsion calculated with its chemical reactions, constant propulsion, no propulsion. The model had six modes in all and through the variable-structure approach and the RoT presented in this paper we were able to reduce the simulation time from 50 seconds to about 4 seconds (with all switches included) without loss of accuracy.

Automatic gear Box Model (Ehrich, 2012): This model consists of many components with different modes, which leads to many possible combinations of components. Furthermore, in between modes where defined for this model. It was essential to heed the rules of thumb for hierarchical models to create a consistent model (e.g. RoT-9,11,15).

Other examples were also implemented but not published yet.

Another major evaluation was done through a formalization describing hierarchical, compositional variable-structure models and how to simulate them. This formalization is based on Object-Z and was used as basis for the implementation of the DySMo framework. We plan to publish the formalization in a follow-up paper. The presented rules of thumb also provide information on what a simulation environment should support.

We therefore think that the rules of thumb presented here give valuable hints on how to handle variable-structure models.

7 CONCLUSION AND FUTURE WORK

In this paper, we gave a basic overview on challenges a modeler has to face when creating variable-structure models and libraries of components with modes. It is supposed to serve as a basic guideline for modelers that helps them to understand and differentiate the different challenges they are facing, and to find rules of thumb for each of them.

As foundation for our analysis we first introduced the two aspects of variable-structure models, which together cause these challenges: the mechanism to switch between different modes during simulation, and the division of models into different components.

The presented challenges can be categorized into three different categories: structural challenges, regarding the interfaces of modes and components (section 3), challenges regarding the initialization of new modes (section 4), and challenges regarding the guards and the timing of mode switches (section 5).

Altogether, we discussed several challenges and gave 18 rules of thumb to help modelers solve them.

This set of challenges discussed in this paper is not supposed to be complete in any sense, but instead aims at covering the most important issues.

A formalization that helped us to make sure that the assumptions and ideas presented here are valid will be presented separately in a future publication.

A very interesting next step to support the actual modeling activity is the augmentation of models, components, and modes with specific information. Such information could include assumptions under which a component should behave as desired, and information on the expected outcome and level of detail for a component. To express such information in an easy and efficient way, a domain-specific language is required.

Furthermore, a tool environment is needed, which supports the modeling of structure changes in components and their simulation. Such a tool should be able to detect modeling problems and propose fixes for such problems in order to support the modeler whenever needed. This paper is a step towards the requirements and possible analysis for such a tool.

REFERENCES

- Broman, D. (2010). *Meta-Languages and Semantics for Equation-Based Modeling and Simulation*. PhD thesis, Linköping University.
- Casella, F., Sielemann, M., and Savoldelli, L. (2011). Steady-state initialization of object-oriented thermo-fluid models for homotopy methods. In *Proceedings of the 8th International Modelica Conference*, pages 86–96.
- Clune, M., Mosterman, P., and Cassandras, C. (2006). Discrete event and hybrid system simulation with simevents. In *Proceedings of the 8th International Workshop on Discrete Event Systems*, pages 386–387.
- Dassault Systems (2015). Dassault systems. www.dynasim.se. Accessed: January 2015.
- Ehrich, A. (2012). Modellierung und Simulation eines Automatikgetriebes mit Strukturdynamik. Master's thesis, Technische Universität Berlin.
- Elmqvist, H., Cellier, F. E., and Otter, M. (1993). Object-oriented modeling of hybrid systems. In *Proceedings of the European Simulation Symposium (ESS'93), Society of Computer Simulation*, pages 31–41.
- GENSIM Project (2007). MOSILAB. <http://mosim.swt.tu-berlin.de/wiki/doku.php?id=projects:mosilab:home>. Accessed: February 2015.
- Harel, D. (1987). Statecharts: A visual formalism for complex systems. *Science of Computer Programming*, 8(3):231–274.
- Heinzl, B. et al. (2012). Bcp - a benchmark for teaching structural dynamical systems. In *Mathematical Modelling 7(1)*, pages 896–901.
- Mahr, B. (2008). Ein Modell des Modellseins - Ein Beitrag zur Aufklärung des Modellbegriffs. In *Modelle*. Ulrich Dirks, Eberhard Knobloch.
- Mehlhase, A. (2013). A Python framework to create and simulate models with variable structure in common simulation environments. *Mathematical and Computer Modelling of Dynamical Systems*, 20(6):566–583.
- Mehlhase, A. et al. (2014). An example of beneficial use of variable-structure modeling to enhance an existing rocket model. In *Proceedings of the 10th International Modelica Conference*, pages 707–713. Linköping University Press.
- Mehlhase, A., Krüger, I., and Schmitz, G. (2012). Variable structure modeling for vehicle refrigeration applications. In *Proceedings of the 9th International Modelica Conference*, pages 927–934. Linköping University Electronic Press.
- Mosterman, P. J. and Biswas, G. (1997). Formal specifications for hybrid dynamical systems. In *Proceedings of the 15th International Joint Conference Artificial Intelligence IJCAI-97*, pages 568–573.
- Nilsson, H., Peterson, J., and Hudak, P. (2003). Functional hybrid modeling. In *Proceedings of 5th Int. Workshop on Practical Aspects of Declarative Languages*, volume 2562 of *Lecture Notes in Computer Science*, pages 376–390.
- Nytsch-Geusen, C. et al. (2005). Mosilab: Development of a modelica based generic simulation tool supporting model structural dynamics. In *Proceedings of the 4th International Modelica Conference*, pages 527–535.
- Pawletta, T., Lampe, B., Pawletta, S., and Drewelow, W. (2002). A devs-based approach for modeling and simulation of hybrid variable structure systems. In *Modelling, Analysis, and Design of Hybrid Systems, Lecture Notes in Control and Information Sciences*, volume 279, pages 107–129. Springer Berlin Heidelberg.
- Platzer, A. and Quesel, J. D. (2008). Keymaera: A hybrid theorem prover for hybrid systems (system description). In *Proceedings of the 4th international joint conference on Automated Reasoning (IJCAR '08)*, pages 171–178.
- Ptolemaeus, C., editor (2014). *System Design, Modeling, and Simulation using Ptolemy II*. Ptolemy.org.
- The MathWorks Inc. (2013a). MATLAB, Simulink 2013b. Natick, Massachusetts, United States.
- The MathWorks Inc. (2013b). MATLAB, Stateflow 2013b. Natick, Massachusetts, United States.
- The Modelica Association (2012). Modelica - a unified object-oriented language for physical systems modeling - language specification version 3.3. www.modelica.org/documents/ModelicaSpec33.pdf. Accessed: February 2015.
- Top, J. (1993). *Conceptual Modelling of Physical Systems*. PhD thesis, University of Twente.
- Zimmer, D. (2010). *Equation-based modeling of variable-structure systems*. PhD thesis, Eidgenössische Technische Hochschule ETH Zürich.